



M 710 series Intelligent electromagnetic Flowmeter Converters

Performance Feature



Output: 4-20mA, pulse/ frequency output(passive)
Accuracy: $\pm 0.5\%$, $\pm 1\%$
Power supply: 220VAC/24VDC
Measure direction: forward/ reverse
Environmental condition: temp. -25°C - 60°C , relative humidity 90%
Power-off protection: 10 years
Display: 7 numbers of instantaneous delivery, 8 numbers of totalizer
Computed mode :4 keys
Volumes: 132*132*95mm
Installation type: compact

M 720 series Intelligent electromagnetic Flowmeter Converters

Performance Feature



Output: 4-20ma, pulse/frequency output (active)
Accuracy: $\pm 0.5\%$, $\pm 1\%$
Power supply: 220VAC/24VDC
Measure direction: forward/ reverse
Environmental condition: temp. -25°C - 60°C , relative humidity 90%
Power-off protection: 10 years
Display: 7 numbers of instantaneous delivery, 8 numbers of totalizer
Communication: RS485 or HART protocol
Computed mode: 3 keys
Volumes: 181.5*171*141mm
Installation type: compact

M 730 series Intelligent electromagnetic Flowmeter Converters

Performance Feature



Output: 4-20mA, pulse/frequency output (active)
Accuracy: $\pm 0.25\%$, $\pm 0.5\%$
Power supply: 220VAC/24VDC
Measure direction: forward/ reverse
Environmental condition: temp. -25°C - 60°C , relative humidity 90%
Power-off protection: 10 years
Display: 7 numbers of instantaneous delivery, 7 numbers of totalizer
Communication: RS485 or HART protocol
Computed mode: 4 keys
Volumes: 180*120*75mm
Installation type: remote



F series Intelligent Electromagnetic Flowmeter Sensors



Performance Feature

Diameter: DN10mm - DN2000mm

Electrode: 316L,Hc,Ti,Ta,Pt

Liner:Rubber, polyurethane,PTFE,PFA,F46

Medium: electric conductivity liquids

Medium conductivity : $\geq 5 \mu S/cm$

Accuracy: $\pm 0.5\%RS - \pm 1.0\%RS$

Velocity of flow: 0.1m/s -10m/s

Working temperature:compact $\leq 120C$, remote $\leq 150C$ (rubber $\leq 80C$)

Working pressure:0.6MPa-4.0MPa(base on diameter)

Protection class:IP65,IP67

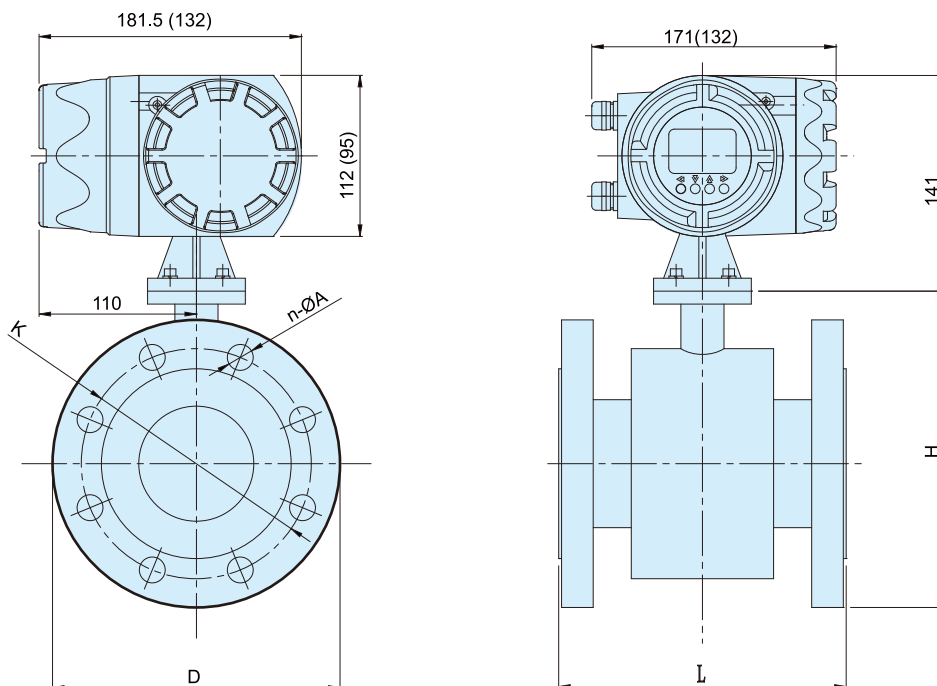
Related converter type:MF710/MF720/MF730

Output:4-20mA/ frequency/pulse output signal

Power supply:220VAC/24VDC,battery

Installation type: compact,remote

External dimension(mm)



F compact external dimension

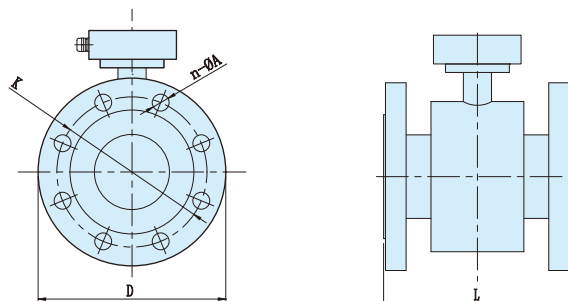


F series Electromagnetic Flowmeter Sensors

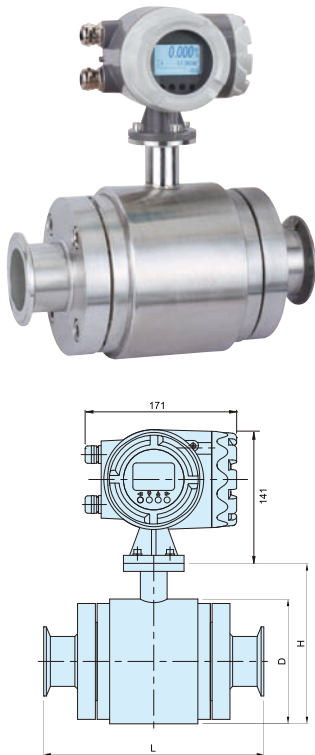
External dimension for compact and remote type

mm

DN mm	Working pressure MPa	L	D	K	n-ØA	Compact Weight (kg)	Remote Weight (kg)
10	4.0	150	90	60	4-Ø14	6	4
15		150	95	65	4-Ø14	6	4
20		150	105	75	4-Ø14	8	6
25		150	115	85	4-Ø14	9	7
32		150	140	100	4-Ø18	11	12
40		150	150	110	4-Ø18	13	14
50		200	165	125	4-Ø18	15	15
65		200	185	145	8-Ø18	16	18
80		200	200	160	8-Ø18	19	20
100	1.6	250	220	180	8-Ø18	23	25
125		250	250	210	8-Ø18	27	29
150		300	285	240	8-Ø22	33	36
200	1.0	350	340	295	8-Ø22	51	49
250		400	395	350	12-Ø22	70	70
300		500	445	400	12-Ø22	102	100
350		500	505	460	16-Ø22	123	121
400		600	565	515	16-Ø26	147	145
450		600	615	565	20-Ø26	212	207
500		600	670	620	20-Ø26	229	210
600		600	780	725	20-Ø30	252	250
700		700	895	840	24-Ø30	352	350
800		800	1015	950	24-Ø33	462	460
900	900	1115	1050	28-Ø33	558	550	
1000	0.6	1000	1175	1120	28-Ø30	690	680
1200		1200	1405	1340	32-Ø33	785	780
1400		1400	1630	1560	36-Ø36	1258	1250
1600		1600	1830	1760	40xØ36		1550
1800		1800	2045	1970	44xØ39		2080
2000		2000	2265	2180	48xØ42		2600



F remote external dimension



K series

Electromagnetic Flowmeter Sensors (Tri-clover type)

Performance Feature

Diameter: DN25mm-DN100

Electrode: 316L, Hc, Ti, Ta, Pt

Liner: PTFE, PFA

Medium: electric conductivity liquids

Medium conductivity : $\geq 5 \mu \text{ S/cm}$

Accuracy: $\pm 0.5\% \text{RS} - \pm 1.0\% \text{RS}$

Velocity of flow: 0.1m/s- 10m/s

Working temperature: $-25^{\circ}\text{C} \sim 150^{\circ}\text{C}$

Working pressure: 0.6MPa-1.6MPa (base on diameter)

Power supply: 220VAC/24VDC, battery

Installation type: compact, remote

Sizes

D N(mm)	L	D	H
25	180	91	230
32	190	105	145
40	200	120	165
50	220	140	180
65	230	150	190
80	250	160	200
100	270	190	230

V series

Electromagnetic Flowmeter Sensors (Thread type)

Performance Feature

Diameter: DN10mm-DN150mm

Electrode: 316L, Hc, Ti, Ta, Pt

Liner: PTFE, PFA

Medium: electric conductivity liquids

Medium conductivity : $\geq 5 \mu \text{ S/cm}$

Accuracy: $\pm 0.5\% \text{RS} - \pm 1.0\% \text{RS}$

Velocity of flow: 0.1m/s- 10m/s

Working temperature: $-25^{\circ}\text{C} \sim 150^{\circ}\text{C}$

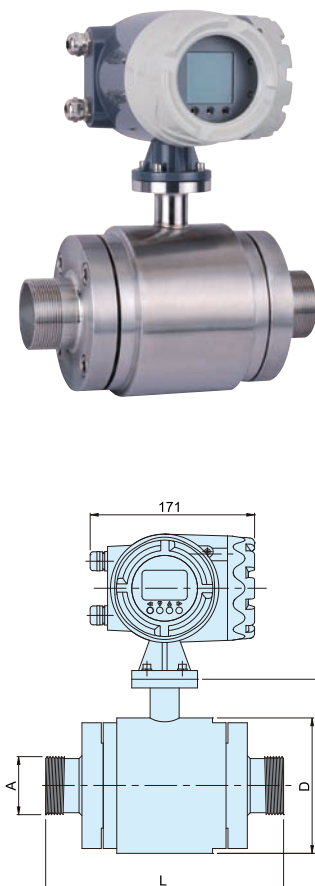
Working pressure: 0.6MPa-1.6MPa (base on diameter)

Power supply: 220VAC/24VDC, battery

Installation type: compact, remote

Sizes

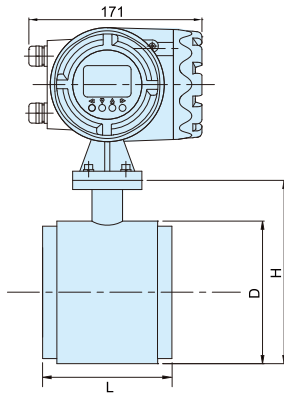
D N(mm)	L	D	H	A
25	190	91	130	BSP1"
32	200	105	145	BSP1 $\frac{1}{4}$ "
40	220	120	160	BSP1 $\frac{1}{2}$ "
50	230	140	180	BSP2"
65	240	150	190	BSP2 $\frac{1}{2}$ "
80	250	160	200	BSP3"
100	270	190	230	BSP4"
125	290	220	260	BSP5"
150	310	240	280	BSP6"





K 700 series Intelligent Electromagnetic Flowmeters

J series Electromagnetic Flowmeter Sensors (Clamp type)



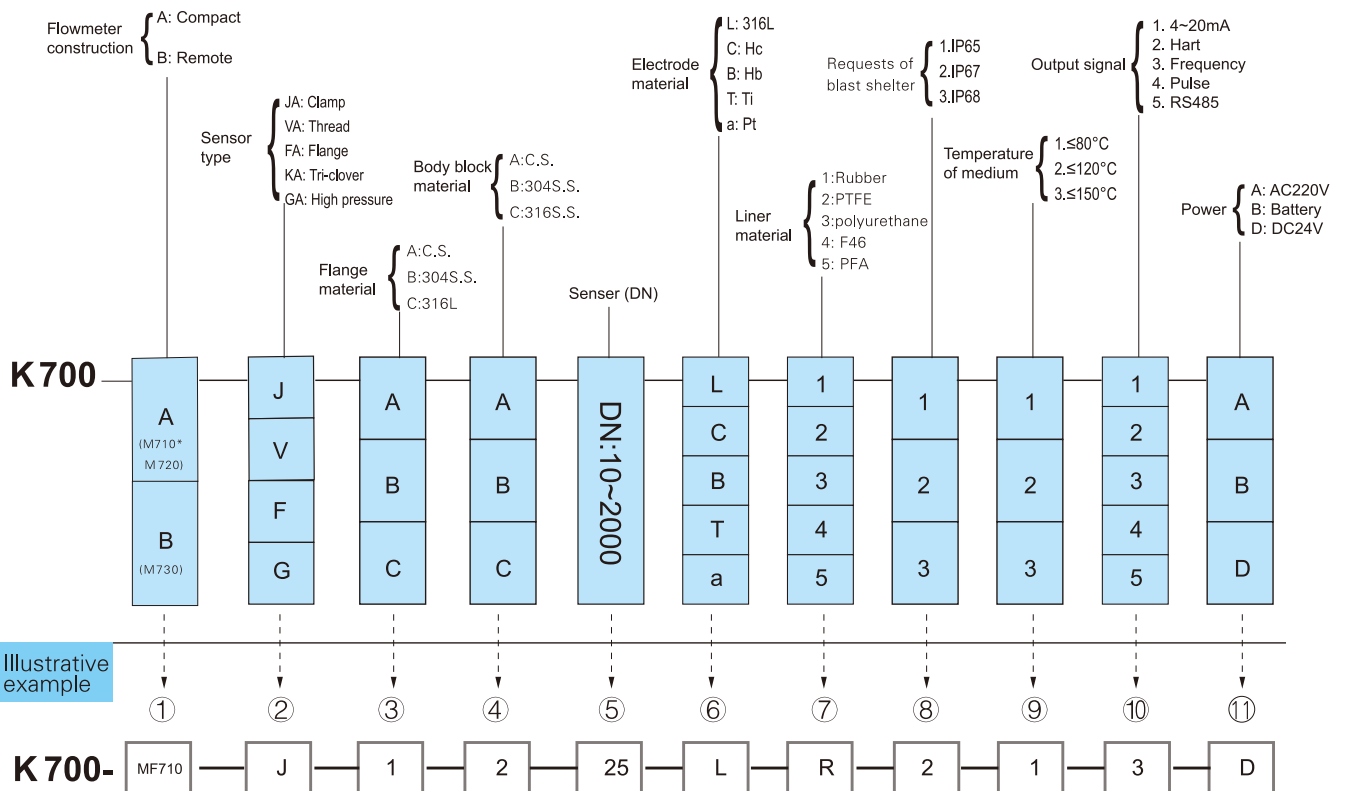
Performance Feature

Diameter: DN10mm-DN150mm
Electrode: 316L, Hc, Ti, Ta, Pt
Liner: PTFE, PFA
Medium: electric conductivity liquids
Medium conductivity : $\geq 5 \mu \text{ S/cm}$
Accuracy: $\pm 0.25\% \text{RS}, \pm 0.5\% \text{RS}, \pm 1.0\% \text{RS}$
Velocity of flow : 0.1m/s-10m/s
Working temperature: $-25^{\circ}\text{C} \sim 150^{\circ}\text{C}$
Working pressure: 0.6MPa-1.6MPa (base on diameter)
Output: 4-20mA/ frequency/pulse output signal
Power supply: 220VAC/24VDC, battery
Installation type: compact, remote

Sizes

DN (mm)	L	D	H
25	90	72	112
32	90	82	122
40	90	92	132
50	125	108	148
65	125	128	168
80	130	142	182
100	160	162	202
125	170	192	232
150	185	219	259

How to order



* Transmitter of M 710 series pulse is passive



Flow Range Chart by Pipe Size

DN (mm)	Flow Range Selection (m ³ /h)
10	0.16, 0.2, 0.25, 0.3, 0.4, 0.5, 0.6, 0.8, 1.0, 1.2, 1.6, 2.0, 2.5
15	0.4, 0.5, 0.6, 0.8, 1.0, 1.2, 1.6, 2.0, 2.5, 3.0, 4.0, 5.0, 6.0
20	0.6, 0.8, 1.0, 1.2, 1.6, 2.0, 2.5, 3.0, 4.0, 5.0, 6.0, 8.0, 10.0
25	1.0, 1.2, 1.6, 2.0, 2.5, 3.0, 4.0, 5.0, 6.0, 8.0, 10.0, 12.0, 14.0, 16.0
32	1.6, 2.0, 2.5, 3.0, 4.0, 5.0, 6.0, 8.0, 10.0, 12.0, 16.0, 20.0, 25.0
40	2.5, 3.0, 4.0, 5.0, 6.0, 8.0, 10.0, 12.0, 16.0, 20.0, 25.0, 30.0, 40.0
50	4.0, 5.0, 6.0, 8.0, 10, 12, 16, 20, 25, 30, 40, 50, 60, 70
65	6.0, 8.0, 10, 12, 16, 20, 25, 30, 40, 50, 60, 80, 100, 120
80	10, 12, 16, 20, 25, 30, 40, 50, 60, 80, 100, 120, 160
100	16, 20, 25, 30, 40, 50, 60, 80, 100, 120, 160, 200, 250
125	25, 30, 40, 50, 60, 80, 100, 120, 160, 200, 250, 300, 400
150	40, 50, 60, 80, 100, 120, 160, 200, 250, 300, 400, 500, 600
200	60, 80, 100, 120, 160, 200, 250, 300, 400, 500, 600, 800, 1000
250	100, 120, 160, 200, 250, 300, 400, 500, 600, 800, 1000, 1200, 1600
300	160, 200, 250, 300, 400, 500, 600, 800, 1000, 1200, 1600, 2000, 2500
350	200, 250, 300, 400, 500, 600, 800, 1000, 1200, 1600, 2000, 2500, 3000
400	250, 300, 400, 500, 600, 800, 1000, 1200, 1600, 2000, 2500, 3000, 4000
450	300, 400, 500, 600, 800, 1000, 1200, 1600, 2000, 2500, 3000, 4000, 5000
500	400, 500, 600, 800, 1000, 1200, 1600, 2000, 2500, 3000, 4000, 5000, 6000
600	600, 800, 1000, 1200, 1600, 2000, 2500, 3000, 4000, 5000, 6000, 10000
700	800, 1000, 1200, 1600, 2000, 2500, 3000, 4000, 5000, 6000, 10000, 12000
800	1000, 1200, 1600, 2000, 2500, 3000, 4000, 5000, 6000, 10000, 12000, 16000
900	1200, 1600, 2000, 2500, 3000, 4000, 5000, 6000, 8000, 10000, 12000, 16000, 18000
1000	1600, 2000, 2500, 3000, 4000, 5000, 6000, 10000, 12000, 16000, 20000
1200	2500, 3000, 4000, 5000, 6000, 8000, 10000, 12000, 16000, 20000, 25000, 30000
1400	3000, 4000, 5000, 6000, 8000, 10000, 12000, 16000, 20000, 25000, 30000, 40000
1600	4000, 5000, 6000, 8000, 10000, 12000, 16000, 20000, 25000, 30000, 40000, 50000, 60000
1800	5000, 6000, 8000, 10000, 12000, 16000, 20000, 25000, 30000, 40000, 50000, 60000
2000	6000, 8000, 10000, 12000, 16000, 20000, 25000, 30000, 40000, 50000, 60000, 80000, 100000



M 740 Converter

K 700E series battery powered electromagnetic flowmeters have special designed sensor of excitation system and high-powered lithium battery with embedded micropowerprocessor, can measure two-way flow, display flow rate and totalized flow. Features include GSM/GPRS remote transmitting, data logging, data analysis, etc.

M 740 series Intelligent Battery Powered Electromagnetic Flowmeter Converters

Performance Feature

Output: pulse
Accuracy: $\pm 0.5\%$, $\pm 1\%$
Battery :MF740A/MF740B durable years:4 years, MF740C durable years:6 years
Measure direction: forward/ reverse
Environmental condition: temp. -10°C - 60°C , relative humidity 90%
Display: 7 numbers of instantaneous delivery, 7 numbers of totalizer
Communication: GSM/GPRS
Computed mode: 4 keys
Volumes: $180 \times 120 \times 75\text{mm}$
Installation type: compact



M 740B Converter

F / K / V / J series Electromagnetic Flowmeter Sensors

Performance Feature

Diameter: DN10mm-DN2000mm
Electrode: 316L, Hc, Ti, Ta, Pt
Liner: rubber, polyurethane, PTFE, PFA, F46
Medium: electric conductivity liquids
Medium conductivity : $\geq 5\mu\text{ s/cm}$
Accuracy: $\pm 0.25\% \text{RS}$, $\pm 0.5\% \text{RS}$ - $\pm 1.0\% \text{RS}$
Velocity of flow: 0.1m/s-10m/s
Working temperature: compact $\leq 120^{\circ}\text{C}$
Working pressure: 0.6MPa-4.0MPa (base on diameter)
Protection class: IP65, IP67
Related transmitter model: MF740A/740B/740C
Installation type: compact



M740C Converter