

Specialist In fluid transfer



## ***Air-Operated Double Diaphragm Pump***

[www.skylink-tec.com](http://www.skylink-tec.com)



# ***Skylink in world***

SKYLINK focus on fluid transfer all the time and supply perfect fluid transfer technology and service. Supplying high-quality product and service is the eternal aim of SKYLINK. We received appreciation of world global marketing system and service from customers. SKYLINK will sustain to go beyond , pursuit perfect and fulfill the expect from worldwide customers.

As the experienced manufacturer of industrial pump, the technology of air-operated double diaphragm pump reach to a good level, the can transport high abrasion medium, high-viscosity and solids medium are also. SKYLINK can supply reasonable and cost-effective solution of fluid transfer according to application field and customer requirements.



# Product features

## Wide application:

It fit for most of fluid transfer,Not only high abrasion medium, but also high-viscosity and solids.

## Compact design:

No-balance air valve,non stop plunger,no dead point;patent Stiffener,high-temperature resistant,corrosion resistant,long operated time.

## Production of efficient:

Air waste little,high capacity, small pulsation,few wearing parts, high performance.

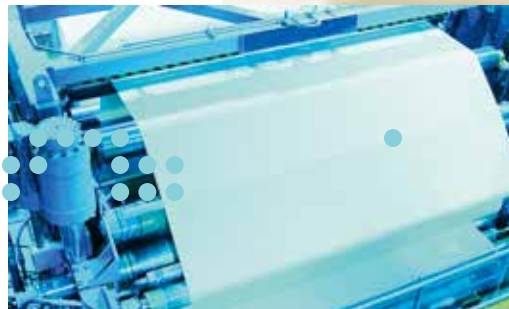
## Convenient operation:

Installation、 repair and movement are easy,operation steps is simple.



# Applicable industry

Industry /municipal waste water treatment、 food processing/biotechnology and pharmaceutical technology、 coating/printing ink/prinking、 paper、 oil/natural gas、 chemical/petrifaction/daily chemical、 vehicle/electroplating/polishing、 ceramics 、 lithium battery.







## Operational principle

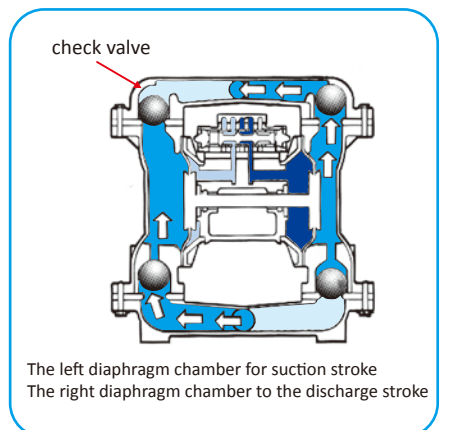
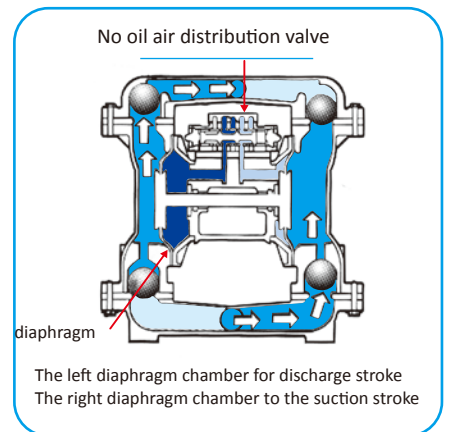
SKYLINK AODD pump adopt compressed air for power source and depend on diaphragms to move left and right to reach to the volume sealed working chamber to achieve loading and ejecting.

AODD pump is structured by suction port、 discharge port、 medium chamber and air chamber,air chamber is structured by main air valve、 pilot valve、 thimble on left and right、 left diaphragm chamber and right diaphragm chamber , medium chamber is structured by left medium、 right medium and check valve.Check valve is set on the top or bottom,left and right medium chambers are connected by suction port and discharge port.

When AODD pump is working,left and right diaphragms are moving by compressed air,and the air valve have no lubricating demand,so clear and dry air can improve the performance of AODD pump.

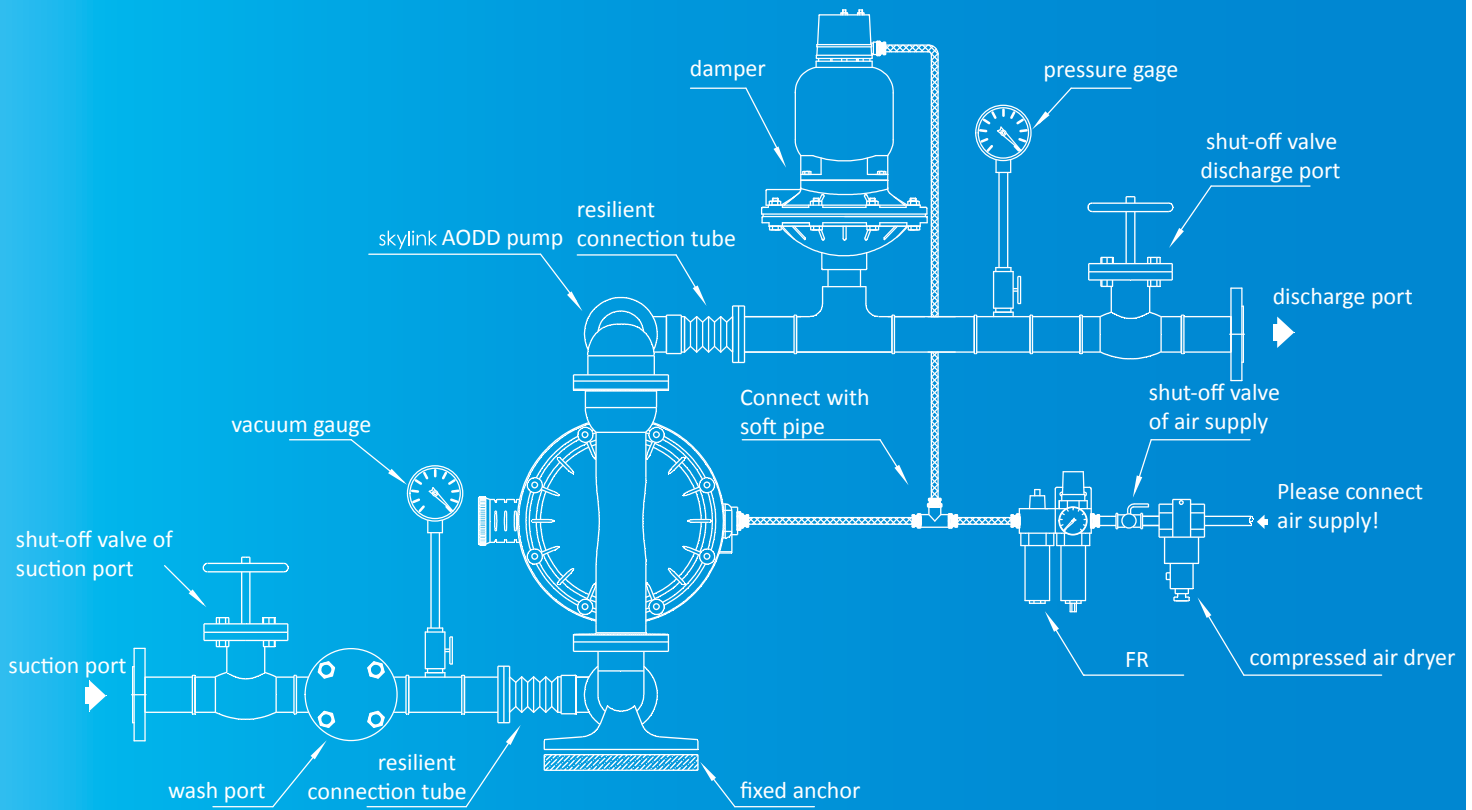
Compressed air comes into air chamber across air inlet port,after the regulation of pilot valve,compressed air come into left diaphragm chamber and drive diaphragm move on the left,the result is that the volume of left medium chamber decreases,the liquid is extruded.

Because the right diaphragm and the left diaphragm are connected by a axle,the right diaphragm move to the left side,the right chamber volume increases,the liquid is inhaled.when the right diaphragm plate touches the right thimble , the right thimble can change the direction of compressed air by pilot valve,air come into the right chamber,the left and right diaphragm move to the right side,the left medium chamber volume increases,liquid is in inhaled,the right chamber volume decreases,liquid is excluded.When the left diaphragm plate touches the left left thimble,the air come into left diaphragm chamber adopted by pilot valve.The actions above are repeated complete the fluid continuous transportation by AODD pump.





# Installation

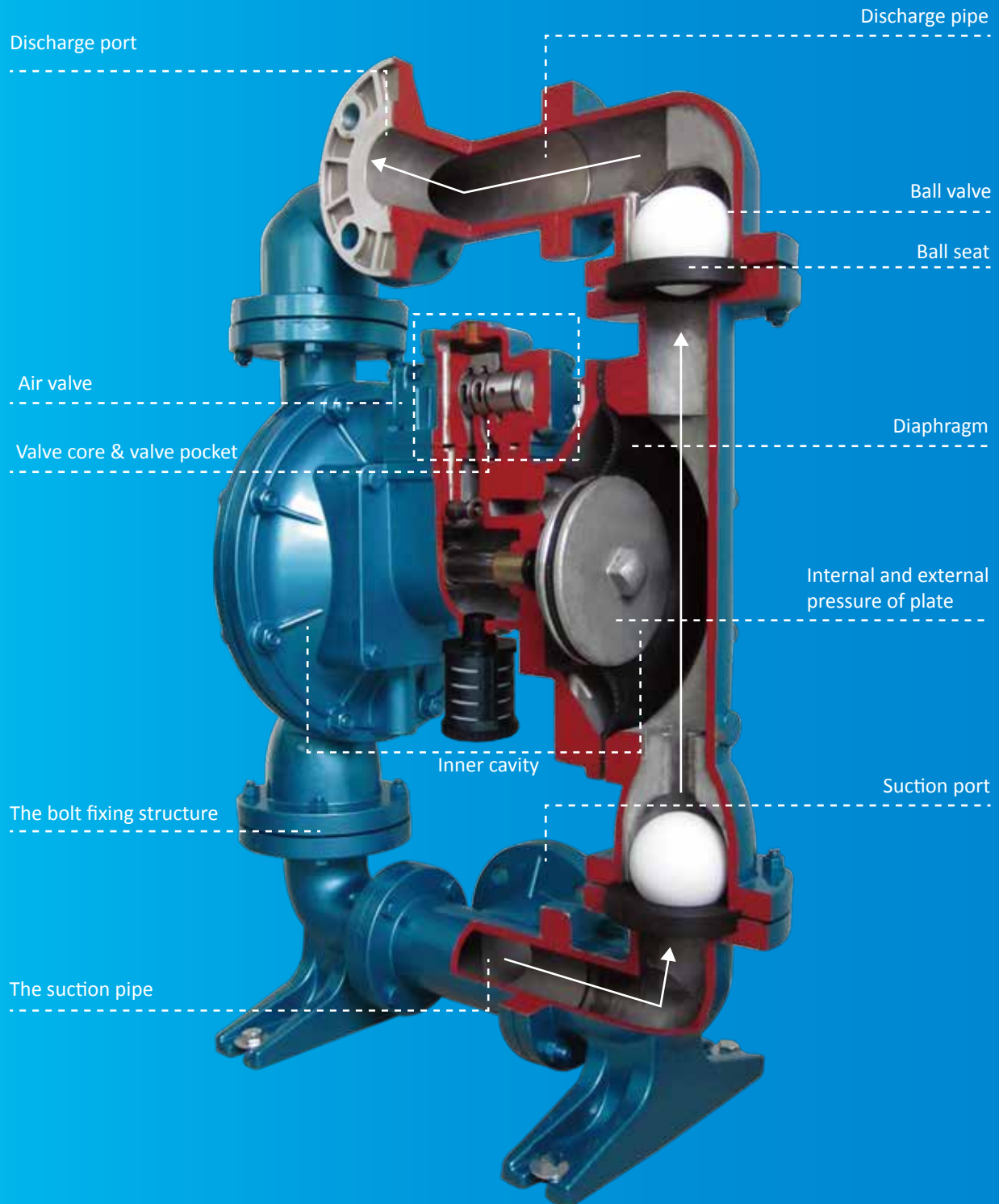


## CAUTION!

- ◇ The picture is standard installation. Because of different industry, the installations are different, please consult suppliers about the concrete installation ways.
- ◇ Between pressure regulating filter and AODD, iron pipe fittings is prohibited when soft pipe is changed to hard pipe between pressure regulating filter and air inlet.
- ◇ Correct blowing method of air pipeline!



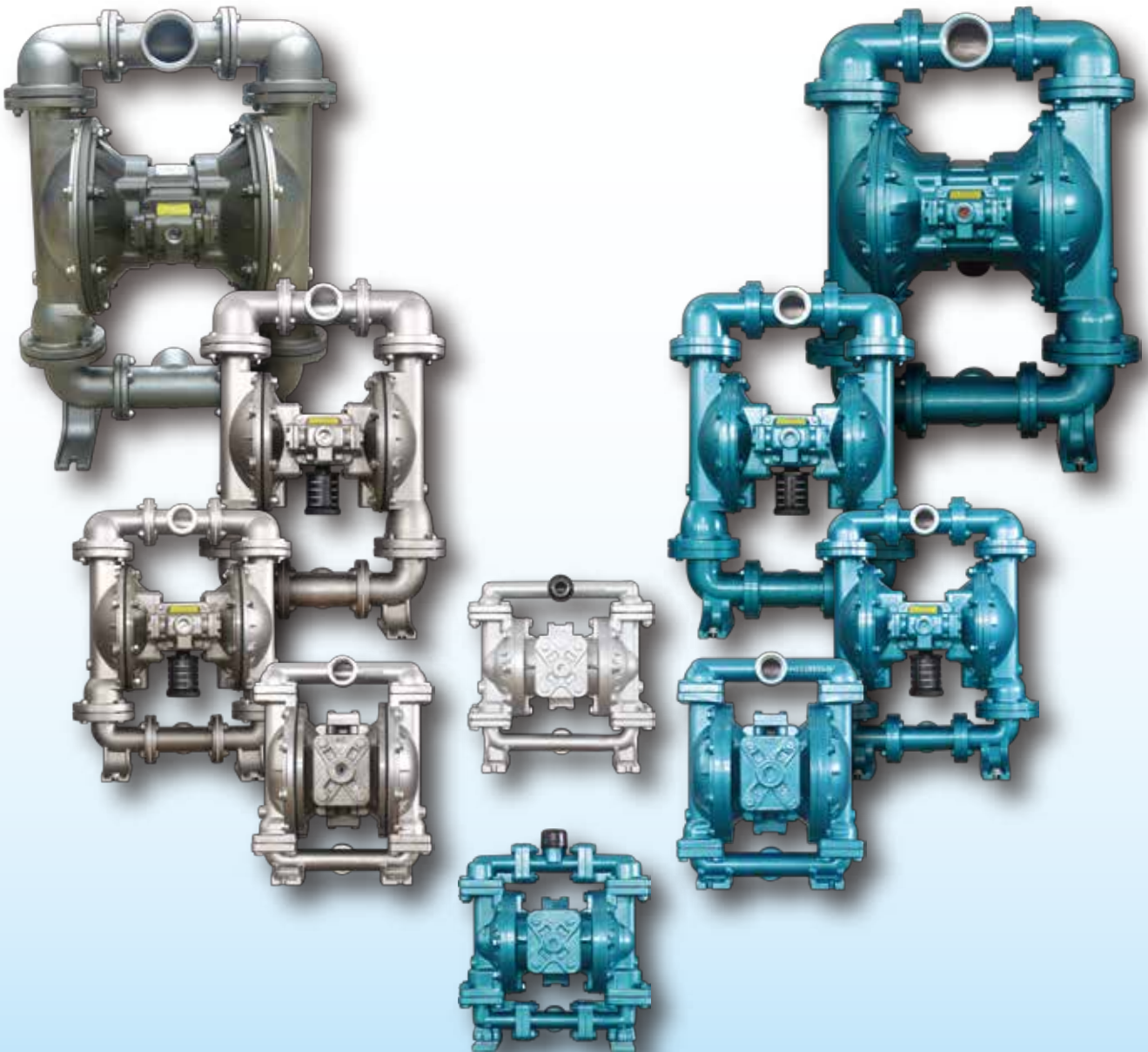
# Air-Operated Double Diaphragm Pump



SKYLINK AODD PUMP

# ***METAL PUMP***

Specialist in fluid transfer



***LS15 LS25 LS40 LS50 LS80***

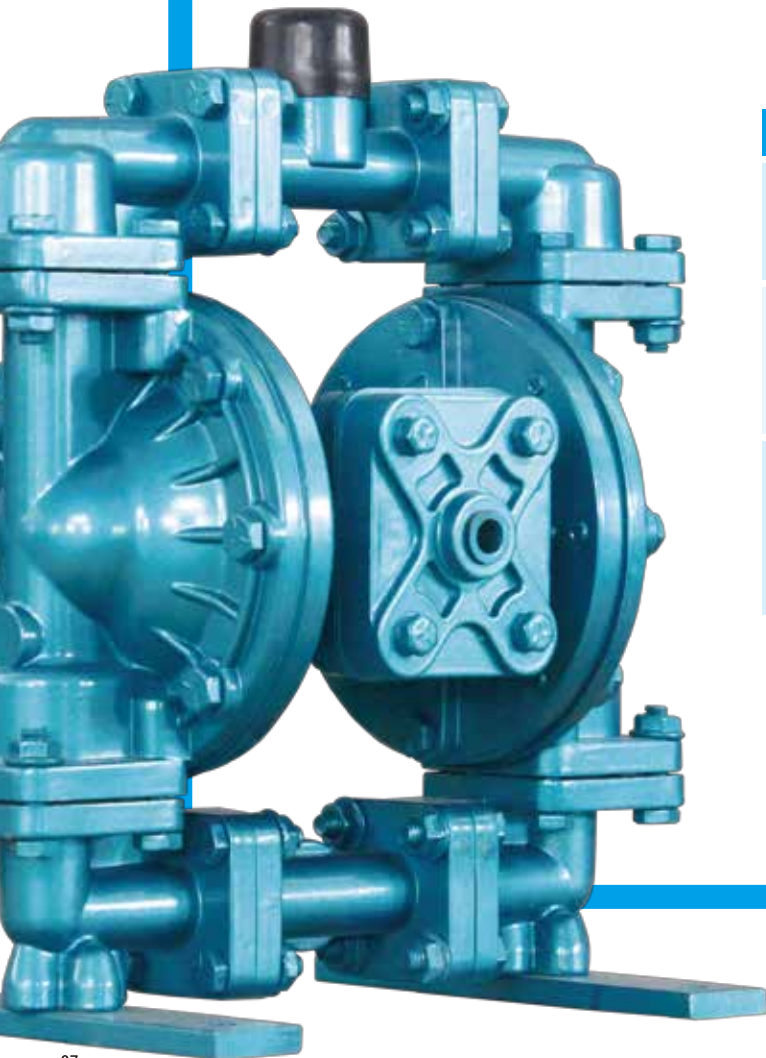
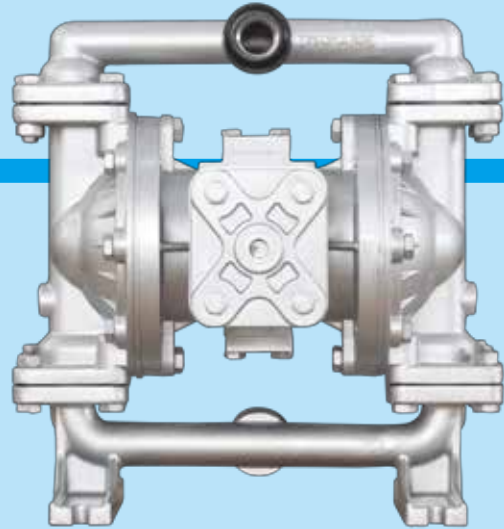
[www.skylink-tec.com](http://www.skylink-tec.com)



# SKYLINK AODD PUMP

## LS15

### METAL PUMP



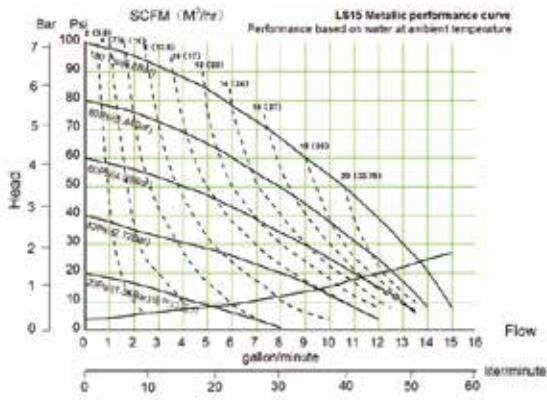
#### TECHNICAL PARAMETERS

Air inlet port : 1/4" ( F )  
Suction port : 1/2" ( F ) & 1" ( M )  
Discharge port : 1/2" ( F ) & 1" ( M )

Capacity : 57 lpm ( 15 gpm )  
Displacement: 0.15 l ( 0.04 gallon )  
Fluid pressure (max): 8.6 bar ( 125 psi )  
Solids size(max) : 3 mm ( 0.125" )

Self - suction height : dry 3.5m ( 12 ft )  
wet 5.5m ( 18 ft )  
Compressed air pressure : 1.4 to 8.9 bar ( 20 to 130 psi )  
Working pressure : 135°C ( 275 °F )  
Weight : 8kg ( AL ) / 10kg ( CS / SS )

[www.skylink-tec.com](http://www.skylink-tec.com)

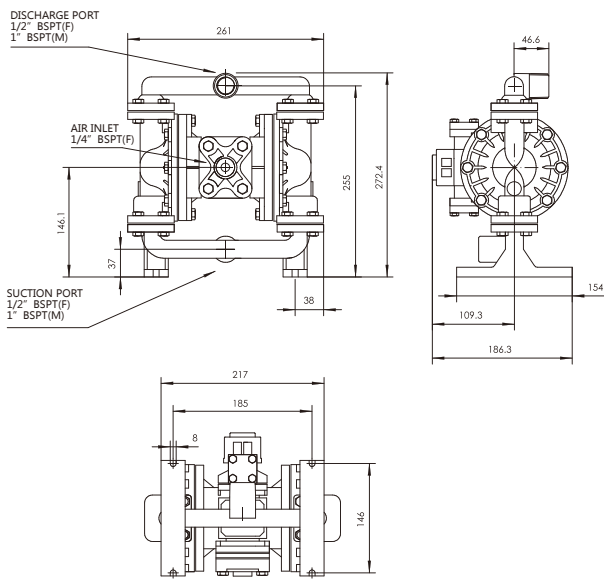


### MATERIALS OF IMMERSION

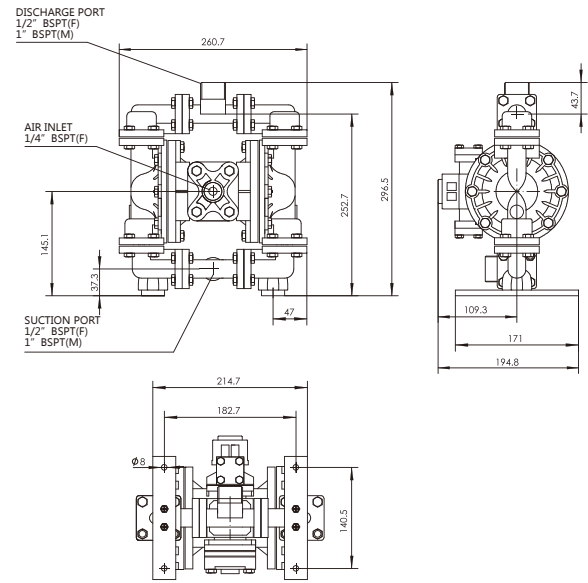
- ▶ HOUSING : aluminium alloy, carbon steel, 316L, Hastelloy-C
- ▶ DIAPHRAGM: neoprene, NBR, Santoprene, PTFE
- ▶ BALL: neoprene, NBR, Santoprene, PTFE, 316L
- ▶ BALL SEAT: polypropylene, Santoprene, PTFE, 316L

### MATERIALS OF NON IMMERSION

- ▶ aluminium alloy(silicone-coated), Nickel plated aluminium alloy, 316L



Stainless Steel (Housing Material)



Aluminium Alloy (Housing Material)

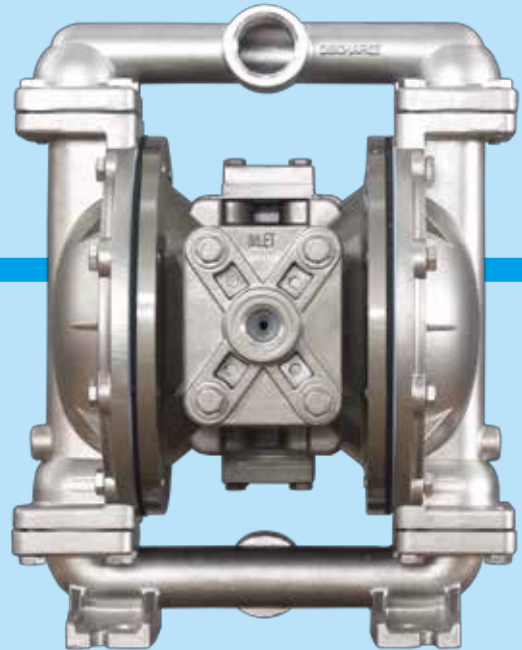
## LS15 Spare parts

Fluid parts kit	teflon diaphragm fluid parts kit	0015.8600at	teflon ball valve	0015.6154	4
			teflon ball seat	0015.6054	4
			teflon diaphragm	0015.8654	2
			santoprene diaphragm	0015.8658	2
Fluid parts kit	santoprene diaphragm fluid parts kit	0015.8600as	santoprene ball valve	0015.6158	4
			santoprene ball seat	0015.6058	4
			santoprene diaphragm	0015.8658	2
Fluid parts kit	NBR diaphragm fluid parts kit	0015.8600ab	NBR ball valve	0015.6151	4
			NBR ball seat	0015.6051	4
			NBR diaphragm	0015.8651	2
Fluid parts kit	Fluororubber diaphragm fluid parts kit	0015.8600av	fluororubber ball valve	0015.6153	4
			fluororubber ball seat	0015.6053	4
			fluororubber diaphragm	0015.8653	2
Air parts kit	0015.0000		air valve cover O-ring	0015.1200	6
			distribution valve spool O-ring	0000.6952	3
			distribution valve cover O-ring	0000.7052	6
			U-type ring	0015.6452	2
			thimble O-ring	0012.6252	2

# SKYLINK AODD PUMP

## LS25

### METAL PUMP



#### TECHNICAL PARAMETERS

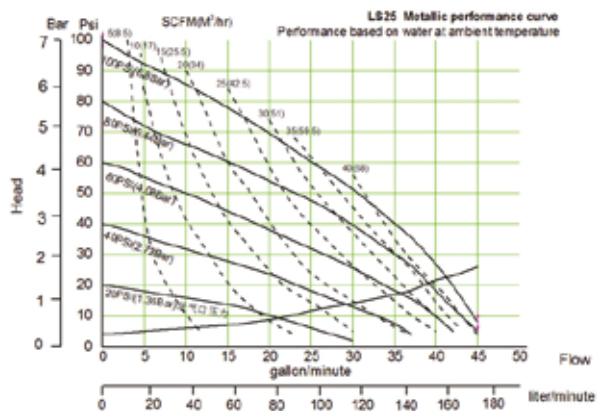
Air inlet port : 1/2" ( F )  
Suction port : 1" ( F )  
Discharge port : 1" ( F )

Capacity : 170 lpm (45 gpm)  
Displacement: 0.42 l (0.11 gallon)  
Fluid pressure (max): 8.6 bar (125 psi)  
Solids size(max) : 6mm (0.25" )

Self - suction height : dry 3.5m (12 ft)  
wet 5.5m (18ft)  
Compressed air pressure : 1.4 to 8.9 bar (20 to 130 psi)  
Working pressure : 135°C (275 °F)  
Weight : 12kg (AL) / 19kg (CS/SS)

[www.skylink-tec.com](http://www.skylink-tec.com)



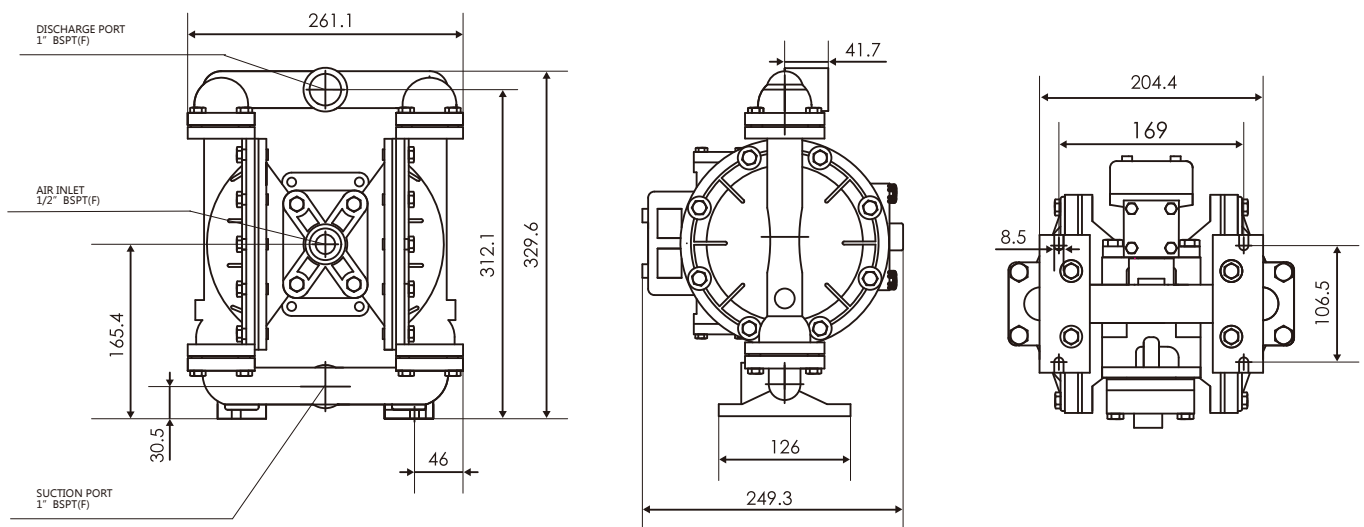


### MATERIALS OF IMMERSION

- ▶ HOUSING : aluminium alloy, carbon steel, 316L, Hastelloy-C
- ▶ DIAPHRAGM: neoprene, NBR, Santoprene, PTFE
- ▶ BALL: neoprene, NBR, Santoprene, PTFE, 316L
- ▶ BALL SEAT: polypropylene, Santoprene, PTFE, 316L

### MATERIALS OF NON IMMERSION

- ▶ aluminium alloy(silicone-coated), Nickel plated aluminum alloy, 316L



### LS25 Spare parts

Fluid parts kit	teflon diaphragm fluid parts kit	0025.8600at	teflon ball valve	0025.6154	4
			teflon ball seat	0025.6054	4
			teflon diaphragm	0025.8654	2
			santoprene diaphragm	0025.8652	2
	santoprene diaphragm fluid parts kit	0025.8600as	santoprene ball valve	0025.6158	4
			santoprene ball seat	0025.6058	4
			santoprene diaphragm	0025.8658	2
	polychloroprene diaphragm fluid parts kit	0025.8600an	polychloroprene ball valve	0025.6152	4
			polychloroprene ball seat	0025.6052	4
			polychloroprene diaphragm	0025.8652	2
	NBR diaphragm fluid parts kit	0025.8600ab	NBR ball valve	0025.6151	4
			NBR ball seat	0025.6051	4
			NBR diaphragm	0025.8651	2
	Fluororubber diaphragm fluid parts kit	0025.8600av	fluororubber ball valve	0025.6153	4
			fluororubber ball seat	0025.6053	4
			fluororubber diaphragm	0025.8653	2
Air parts kit	0025.0000		air valve cover O-ring	0000.6852	6
			distribution valve spool O-ring	0000.6952	3
			distribution valve cover O-ring	0000.7052	6
			U-type ring	0025.6452	2
			thimble O-ring	0012.6252	2

# SKYLINK AODD PUMP

## LS40 METAL PUMP



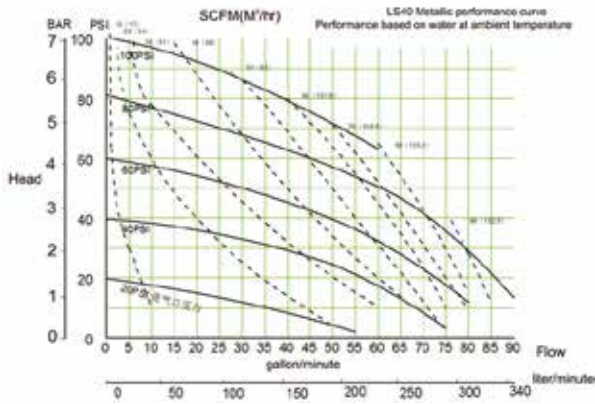
### TECHNICAL PARAMETERS

Air inlet port : 3/4" (F)  
Suction port : 1 1/2" (F)  
Discharge port : 1 1/2" (F)

Capacity : 340 lpm (90 gpm)  
Displacement : 1.29 l (0.34gallon)  
Fluid pressure (max) : 8.6 bar (125 psi)  
Solids size(max) : 6.3mm (0.25" )

Self - suction height : dry 3.5m (12 ft)  
wet 7.5m (25 ft)  
Compressed air pressure : 1.4 to 8.9 bar (20 to 130 psi)  
Working pressure : 135°C (275 °F)  
Weight : 35kg (AL) / 62kg (CS/SS)

[www.skylink-tec.com](http://www.skylink-tec.com)

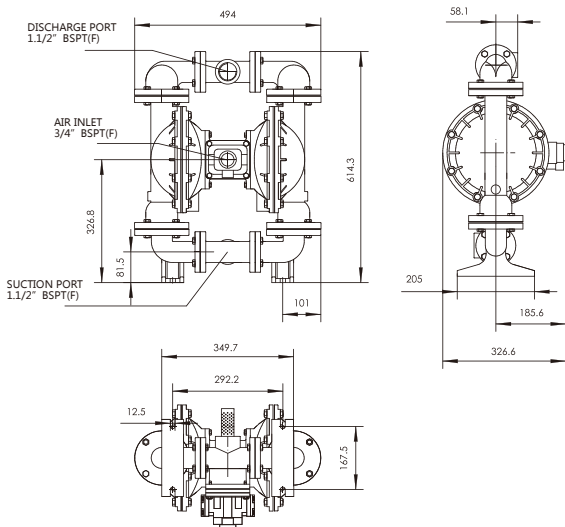


### MATERIALS OF IMMERSION

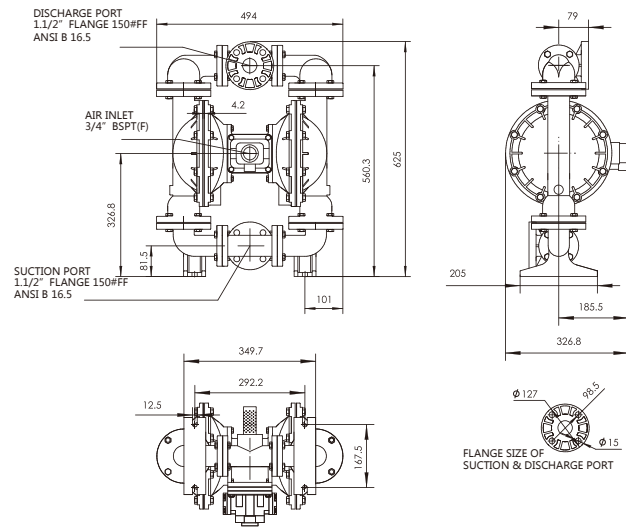
- ▶ HOUSING : aluminium alloy, carbon steel, 316L, Hastelloy-C
- ▶ DIAPHRAGM: neoprene, NBR, Santoprene, PTFE
- ▶ BALL: neoprene, NBR, Santoprene, PTFE, 316L
- ▶ BALL SEAT: polypropylene, Santoprene, PTFE, 316L

### MATERIALS OF NON IMMERSION

- ▶ aluminium alloy(silicone-coated), Nickel plated aluminium alloy, 316L



BSPT Connection



Flange Connection

## LS40 Spare parts

Fluid parts kit	teflon diaphragm fluid parts kit	0040.8600at	teflon ball valve	0040.6154	4
			teflon ball seat	0040.6054	4
			teflon diaphragm	0040.8654	2
			santoprene diaphragm	0040.8652	2
	santoprene diaphragm fluid parts kit	0040.8600as	santoprene ball valve	0040.6158	4
			santoprene ball seat	0040.6058	4
			santoprene diaphragm	0040.8658	2
Fluid parts kit	polychloroprene diaphragm fluid parts kit	0040.8600an	polychloroprene ball valve	0040.6152	4
			polychloroprene ball seat	0040.6052	4
			polychloroprene diaphragm	0040.8652	2
	NBR diaphragm fluid parts kit	0040.8600ab	NBR ball valve	0040.6151	4
			NBR ball seat	0040.6051	4
			NBR diaphragm	0040.8651	2
Fluid parts kit	Fluororubber diaphragm fluid parts kit	0040.8600av	fluororubber ball valve	0040.6153	4
			fluororubber ball seat	0040.6053	4
			fluororubber diaphragm	0040.8653	2
Air parts kit	0040.0000		air valve cover O-ring	0000.6852	6
			distribution valve spool O-ring	0000.6952	3
			distribution valve cover O-ring	0000.7052	6
			U-type ring	0450.6452	2
			thimble O-ring	0458.3502	2



# SKYLINK AODD PUMP

## LS50 METAL PUMP



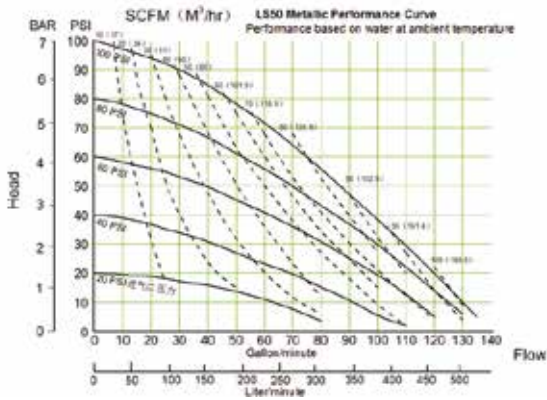
### TECHNICAL PARAMETERS

Air inlet port : 3/4" (F)  
Suction port : 2" (F)  
Discharge port : 2" (F)

Capacity : 511 lpm (135 gpm)  
Displacement : 1.63 l (0.43 gallon)  
Fluid pressure (max) : 8.6 bar (125 psi)  
Solids size(max) : 9mm (3/8" )

Self - suction height : dry 5m (16 ft)  
wet 7.5m (25 ft)  
Compressed air pressure : 1.4 to 8.9 bar (20 to 130 psi)  
Working pressure: 135°C (275 °F)  
Weight: 43kg (AL) / 73kg (CS/SS)

[www.skylink-tec.com](http://www.skylink-tec.com)

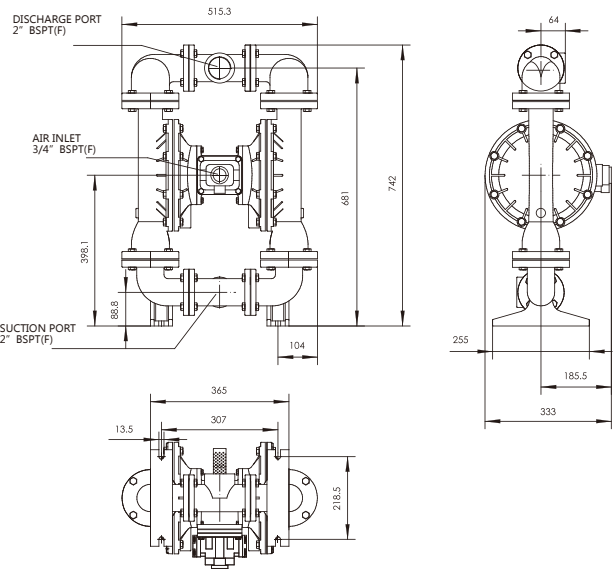


**MATERIALS OF IMMERSION**

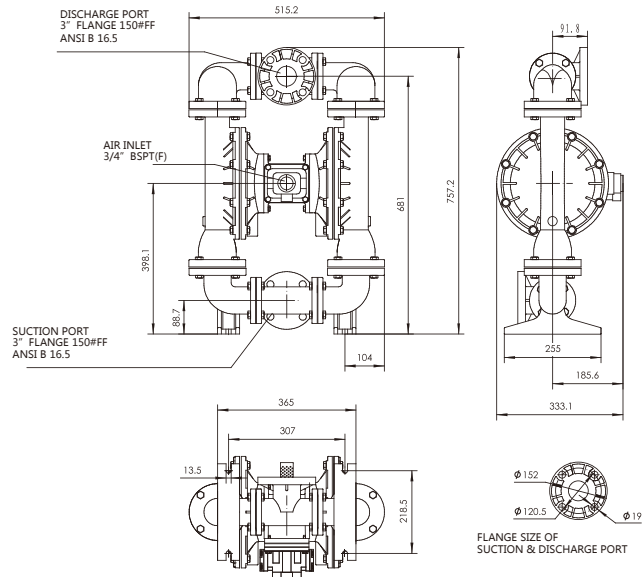
- ▶ HOUSING : aluminium alloy, carbon steel, 316L, Hastelloy-C
- ▶ DIAPHRAGM: neoprene, NBR, Santoprene, PTFE
- ▶ BALL: neoprene, NBR, Santoprene, PTFE, 316L
- ▶ BALL SEAT: polypropylene, Santoprene, PTFE, 316L

**MATERIALS OF NON IMMERSION**

- ▶ aluminium alloy(silicone-coated), Nickel plated aluminium alloy, 316L



BSPT Connection



Flange Connection

**LS50 Spare parts**

Fluid parts kit	teflon diaphragm fluid parts kit	0050.8600at	teflon ball valve	0050.6154	4
			teflon ball seat	0050.6054	4
			teflon diaphragm	0050.8654	2
			santoprene diaphragm	0050.8652	2
	santoprene diaphragm fluid parts kit	0050.8600as	santoprene ball valve	0050.6158	4
			santoprene ball seat	0050.6058	4
			santoprene diaphragm	0050.8658	2
	polychloroprene diaphragm fluid parts kit	0025.8600an	polychloroprene ball valve	0050.6152	4
			polychloroprene ball seat	0050.6052	4
			polychloroprene diaphragm	0050.8652	2
	NBR diaphragm fluid parts kit	0050.8600ab	NBR ball valve	0050.6151	4
			NBR ball seat	0050.6051	4
			NBR diaphragm	0050.8651	2
	Fluororubber diaphragm fluid parts kit	0050.8600av	fluororubber ball valve	0050.6153	4
			fluororubber ball seat	0050.6053	4
			fluororubber diaphragm	0050.8653	2
Air parts kit	0050.0000		air valve cover O-ring	0000.6852	6
			distribution valve spool O-ring	0000.6952	3
			distribution valve cover O-ring	0000.7052	6
			U-type ring	0450.6452	2
			thimble O-ring	0458.3502	2

# SKYLINK AODD PUMP

## LS80 METAL PUMP



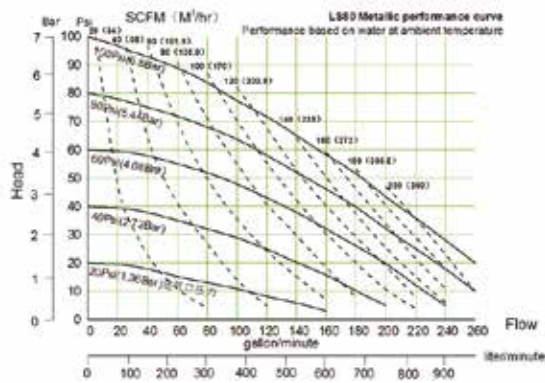
### TECHNICAL PARAMETERS

Air inlet port : 3/4" (F)  
Suction port : 3" (FLANGE)  
Discharge port : 3" (FLANGE)

Capacity : 988 lpm (260 gpm)  
Displacement : 3.62 l (0.95 gallon)  
Fluid pressure (max) : 8.6 bar (125 psi)  
Solids size(max) : 22mm (7/8" )

Self - suction height : dry 5m (16 ft)  
wet 7.5m (25 ft)  
Compressed air pressure : 1.4 to 8.9 bar (20 to 130 psi)  
Working pressure: 135°C (275 °F)  
Weight: 76kg (AL) / 130kg (CS/SS)

[www.skylink-tec.com](http://www.skylink-tec.com)

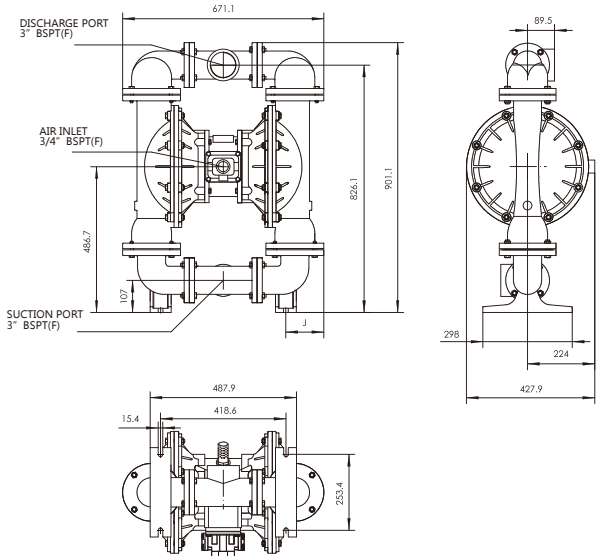


### MATERIALS OF IMMERSION

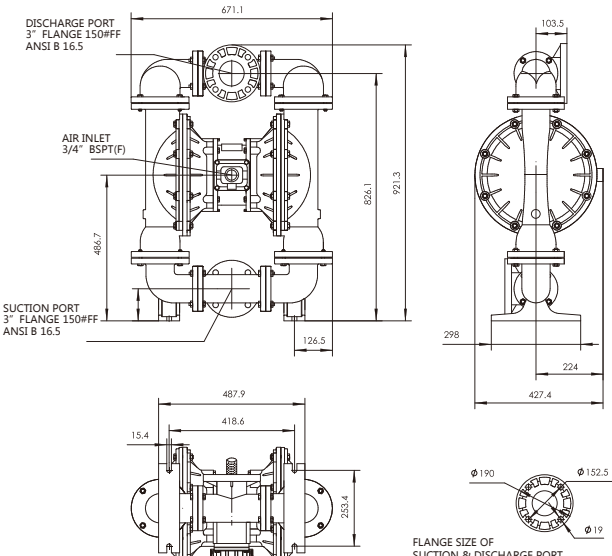
- ▶ HOUSING : aluminium alloy, carbon steel, 316L, Hastelloy-C
- ▶ DIAPHRAGM: neoprene, NBR, Santoprene, PTFE
- ▶ BALL: neoprene, NBR, Santoprene, PTFE, 316L
- ▶ BALL SEAT: polypropylene, Santoprene, PTFE, 316L

### MATERIALS OF NON IMMERSION

- ▶ aluminium alloy(silicone-coated), Nickel plated aluminium alloy, 316L



BSPT Connection



Flange Connection

## LS80 Spare parts

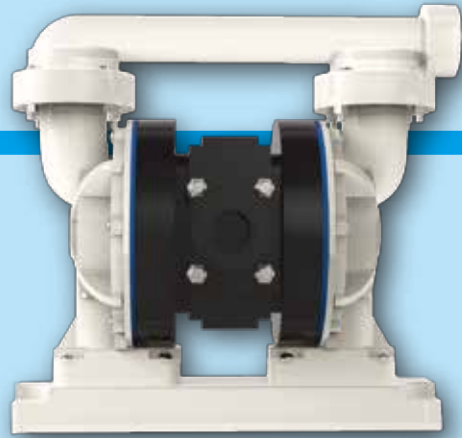
Fluid parts kit	teflon diaphragm fluid parts kit	0080.8600at	teflon ball valve	0080.6154	4
			teflon ball seat	0080.6054	4
			teflon diaphragm	0080.8654	2
			santoprene diaphragm	0080.8658	2
	santoprene diaphragm fluid parts kit	0080.8600as	santoprene ball valve	0080.6158	4
			santoprene ball seat	0080.6058	4
			santoprene diaphragm	0080.8658	2
Fluid parts kit	polychloroprene diaphragm fluid parts kit	0025.8600an	polychloroprene ball valve	0080.6152	4
			polychloroprene ball seat	0080.6052	4
			polychloroprene diaphragm	0080.8652	2
Fluid parts kit	NBR diaphragm fluid parts kit	0080.8600ab	NBR ball valve	0080.6151	4
			NBR ball seat	0080.6051	4
			NBR diaphragm	0080.8651	2
Fluid parts kit	Fluororubber diaphragm fluid parts kit	0080.8600av	fluororubber ball valve	0080.6153	4
			fluororubber ball seat	0080.6053	4
			fluororubber diaphragm	0080.8653	2
Air parts kit	0080.0000		air valve cover O-ring	0000.6852	6
			distribution valve spool O-ring	0000.6952	3
			distribution valve cover O-ring	0000.7052	6
			U-type ring	0080.6452	2
			thimble O-ring	0458.3502	2



# SKYLINK AODD PUMP

## PS08

PLASTIC PUMP



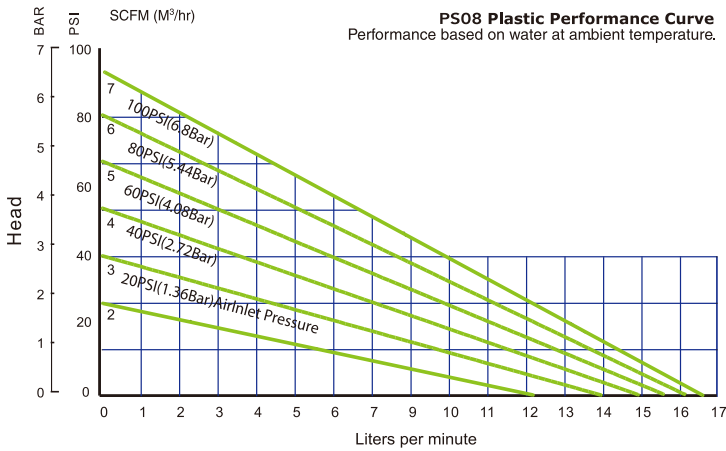
### TECHNICAL PARAMETERS

Air inlet port : 1/4" ( F )  
Suction port : 1/4" ( F )  
Discharge port : 1/4" ( F )

Capacity : 15 lpm (4 gpm)  
Displacement : 6.9 bar (100 psi)  
Fluid pressure (max) : 1mm (1/32")

Self - suction height : dry 1.7m (5.8 ft)  
wet 9.0m (30 ft)  
Compressed air pressure : 1.4 to 6.9 bar (20 to 100 psi)  
Working pressure : 120°C (250 °F)  
Weight : 1.5kg (PP) / 2.5kg (PVDF)

[www.skylink-tec.com](http://www.skylink-tec.com)

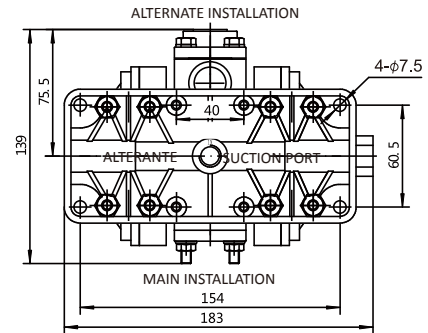
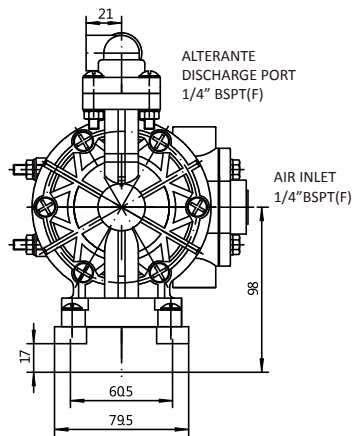
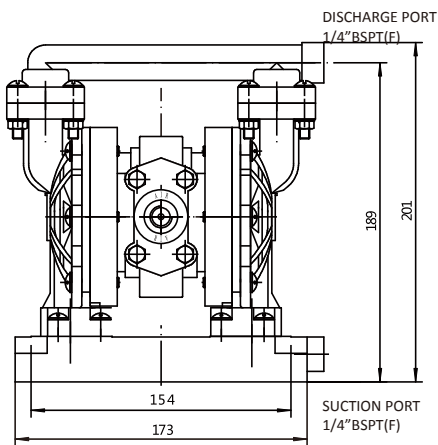


#### MATERIALS OF IMMERSION

- ▶ HOUSING : sulan、PVDF
- ▶ DIAPHRAGM: santoprene、PTFE
- ▶ BALL: santoprene、PTFE
- ▶ BALL SEAT: sulan、santoprene、PTFE

#### MATERIALS OF NON IMMERSION

- ▶ resin coated aluminum alloy、PTFE coated aluminum alloy、stainless steel



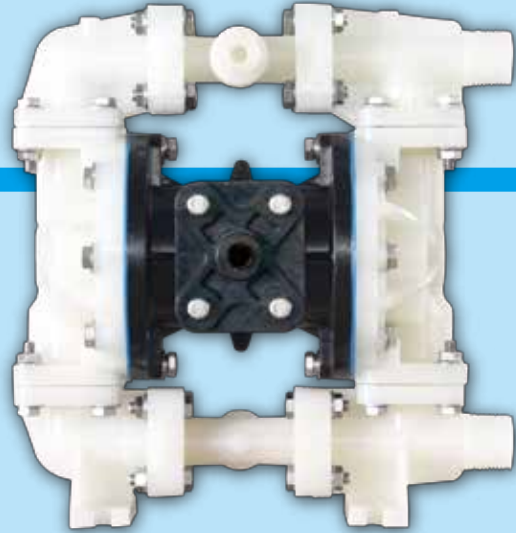
## PS08 Spare parts

Fluid parts kit	teflon diaphragm fluid parts kit	0008.8600at	teflon ball valve	0008.6154	4
			teflon ball seat	0008.6040p	4
			teflon diaphragm	0008.8654	2
			santoprene diaphragm	0008.8658	2
	santoprene diaphragm fluid parts kit	0008.8600as	santoprene ball valve	0008.6158	4
			santoprene ball seat	0008.6040p	4
			santoprene diaphragm	0008.8658	2
polychloroprene diaphragm fluid parts kit	0008.8600an		polychloroprene ball valve	0008.6152	4
			polychloroprene ball seat	0008.6040p	4
			polychloroprene diaphragm	0008.8652	2
NBR diaphragm fluid parts kit	0008.8600ab		NBR ball valve	0008.6151	4
			NBR ball seat	0008.6040p	4
			NBR diaphragm	0008.8651	2
Fluororubber diaphragm fluid parts kit	0008.8600av		fluororubber ball valve	0008.6153	4
			fluororubber ball seat	0008.6040p	4
			fluororubber diaphragm	0008.8653	2
Air parts kit	0008.0000		air valve cover O-ring	0008.1200	6
			distribution valve spool O-ring	0000.6952	3
			distribution valve cover O-ring	0000.7052	6
			U-type ring	0080.6452	2
			thimble O-ring	0012.6252	2

# SKYLINK AODD PUMP

## PS15

### PLASTIC PUMP



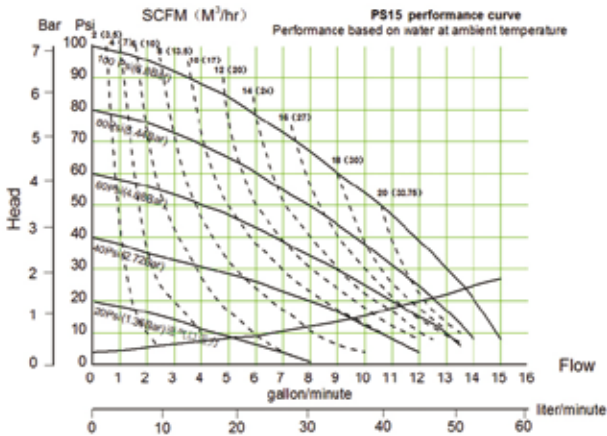
#### TECHNICAL PARAMETERS

Air inlet port : 1/4" (F)  
Suction port : 1/2" (F)  
Discharge port : 1/2" (F)

Capacity : 52 lpm (13.5 gpm)  
Displacement : 0.15 l (0.04 gallon)  
Fluid pressure (max) : 6.9 bar (100 psi)  
Solids size(max) : 3mm (0.125" )

Self-suction height : dry 3.5m (12 ft)  
wet 9.0m (30 ft)  
Compressed air pressure : 1.4 to 6.9 bar (20 to 100 psi)  
Working pressure : 120°C (250 °F)  
Weight : 5.5kg (PP) / 7.2kg (PVDF)

[www.skylink-tec.com](http://www.skylink-tec.com)

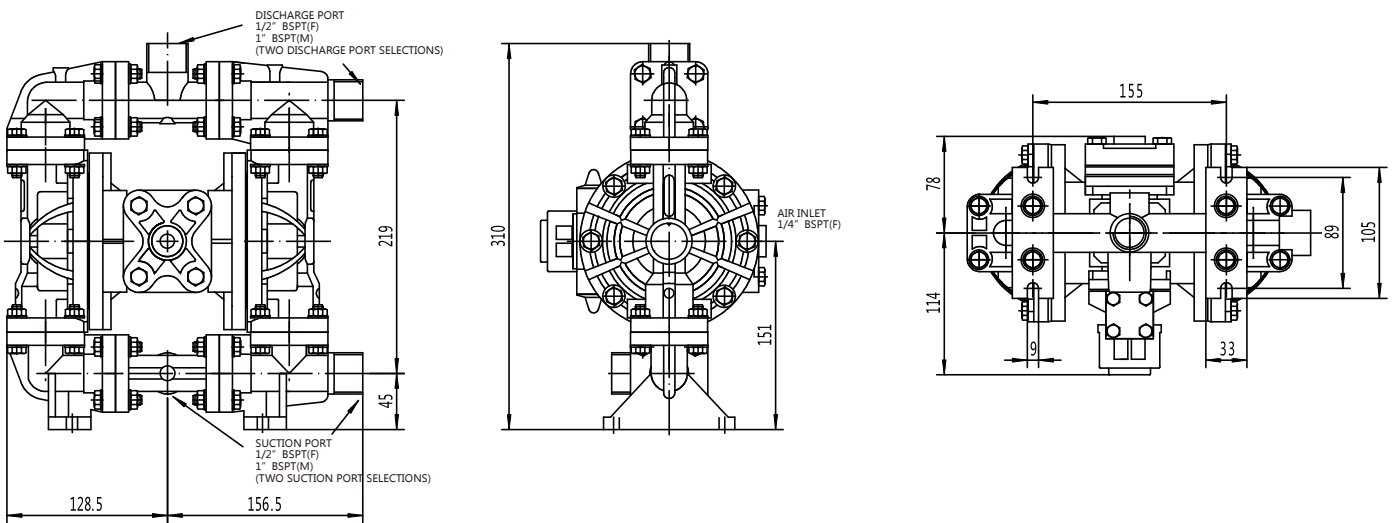


### MATERIALS OF IMMERSION

- ▶ HOUSING : sulan、 PVDF
- ▶ DIAPHRAGM: santoprene、 PTFE
- ▶ BALL: santoprene、 PTFE
- ▶ BALL SEAT: sulan、 santoprene、 PTFE

### MATERIALS OF NON IMMERSION

- ▶ resin coated aluminum alloy、 PTFE coated aluminum alloy、 stainless steel



## PS15 Spare parts

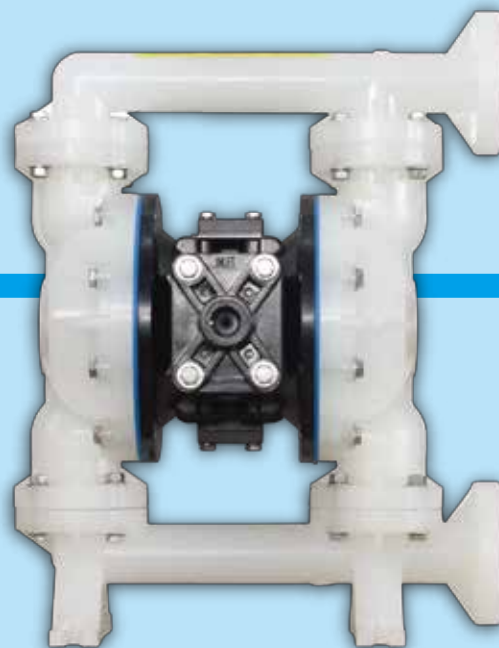
Fluid parts kit	teflon diaphragm fluid parts kit	0015.8600pt	teflon ball valve	0015.6154	4
			teflon ball seat	0025.6040p	4
			teflon diaphragm	0015.8654	2
			santoprene diaphragm	0015.8658	2
	santoprene diaphragm fluid parts kit	0015.8600ps	santoprene ball valve	0015.6158	4
			santoprene ball seat	0015.6040p	4
			santoprene diaphragm	0015.8658	2
	polychloroprene diaphragm fluid parts kit	0015.8600pn	polychloroprene ball valve	0015.6152	4
			polychloroprene ball seat	0015.6040p	4
			polychloroprene diaphragm	0015.8652	2
	NBR diaphragm fluid parts kit	0015.8600pb	NBR ball valve	0015.6151	4
			NBR ball seat	0025.6040p	4
			NBR diaphragm	0015.8651	2
	Fluororubber diaphragm fluid parts kit	0015.8600pv	fluororubber ball valve	0015.6153	4
			fluororubber ball seat	0025.6040p	4
			fluororubber diaphragm	0015.8653	2
Air parts kit	0015.0000		air valve cover O-ring	0015.1200	6
			distribution valve spool O-ring	0000.6952	3
			distribution valve cover O-ring	0000.7052	6
			U-type ring	0015.6452	2
			thimble O-ring	0012.6252	2



# SKYLINK AODD PUMP

## PS25

### PLASTIC PUMP



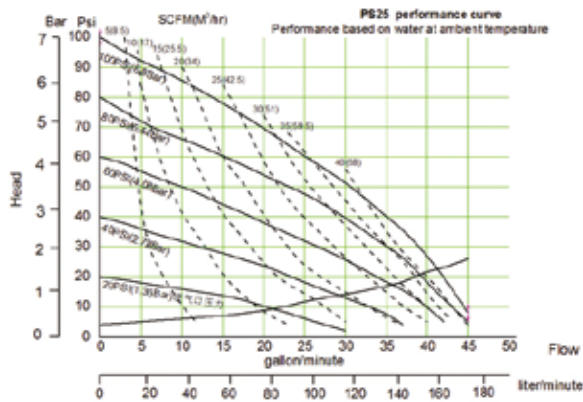
#### TECHNICAL PARAMETERS

Air inlet port : 1/2" (F)  
Suction port : 1" (FLANGE)  
Discharge port : 1" (FLANGE)

Capacity : 158 lpm (42 gpm)  
Displacement : 0.42 l (0.11 gallon)  
Fluid pressure (max) : 6.9 bar (100 psi)  
Solids size(max) : 6mm (0.25" )

Self - suction height : dry 3.5m (12 ft)  
wet 9.0m (30 ft)  
Compressed air pressure : 1.4 to 6.9 bar (20 to 100 psi)  
Working pressure: 120°C (250 °F)  
Weight: 12kg (PP) / 16kg (PVDF)

[www.skylink-tec.com](http://www.skylink-tec.com)

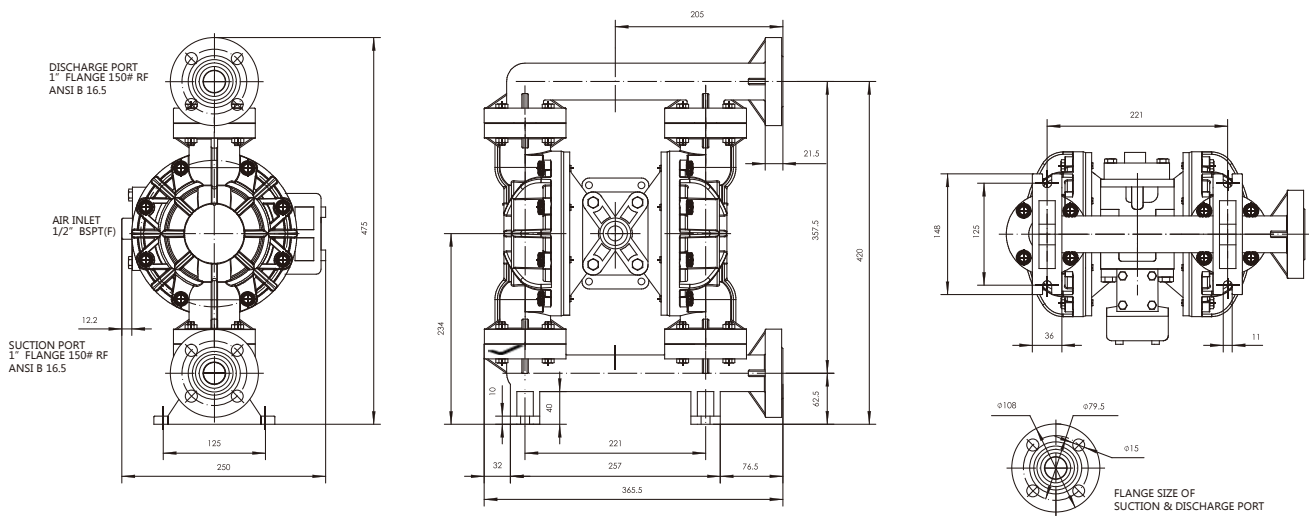


### MATERIALS OF IMMERSION

- ▶ HOUSING : sulan、PVDF
- ▶ DIAPHRAGM: santoprene、PTFE
- ▶ BALL: santoprene、PTFE
- ▶ BALL SEAT: sulan、santoprene、PTFE

### MATERIALS OF NON IMMERSION

- ▶ resin coated aluminum alloy、PTFE coated aluminum alloy、stainless steel



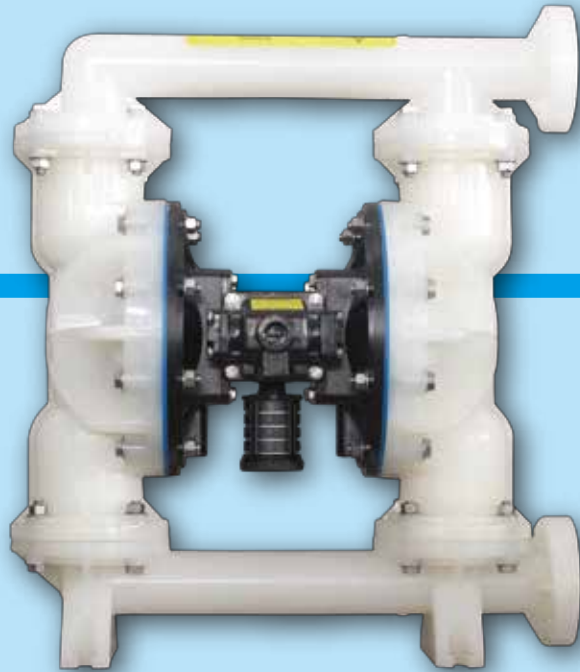
## PS25 Spare parts

Fluid parts kit	teflon diaphragm fluid parts kit	0025.8600pt	teflon ball valve	0025.6154	4
			teflon ball seat	0025.6040p	4
			teflon diaphragm	0025.8654p	2
			santoprene diaphragm	0025.8658p	2
	santoprene diaphragm fluid parts kit	0025.8600ps	santoprene ball valve	0025.6158	4
			santoprene ball seat	0025.6040p	4
			santoprene diaphragm	0025.8658p	2
	polychloroprene diaphragm fluid parts kit	0025.8600pn	polychloroprene ball valve	0025.6152	4
			polychloroprene ball seat	0025.6040p	4
			polychloroprene diaphragm	0025.8652p	2
	NBR diaphragm fluid parts kit	0025.8600pb	NBR ball valve	0025.6251	4
			NBR ball seat	0025.6040p	4
			NBR diaphragm	0025.8651p	2
	Fluororubber diaphragm fluid parts kit	0025.8600pv	fluororubber ball valve	0025.6253	4
			fluororubber ball seat	0025.6040p	4
			fluororubber diaphragm	0025.8653p	2
Air parts kit	0025.0000		air valve cover O-ring	0000.6852	6
			distribution valve spool O-ring	0000.6952	3
			distribution valve cover O-ring	0000.7052	6
			U-type ring	0025.6452	2
			thimble O-ring	0012.6252	2

# SKYLINK AODD PUMP

## PS40

PLASTIC PUMP



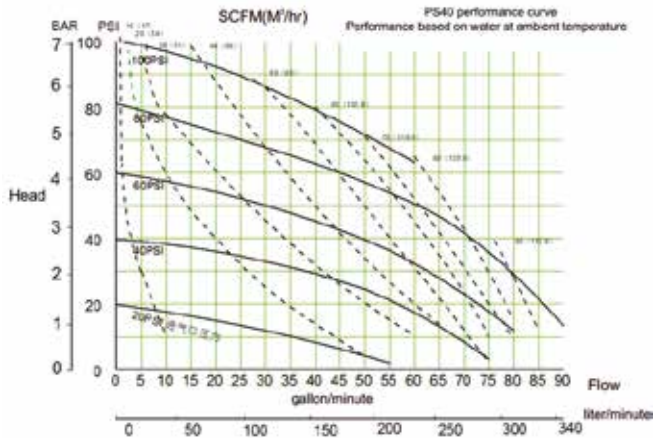
### TECHNICAL PARAMETERS

Air inlet port : 3/4" (F)  
Suction port : 1 1/2" (FLANGE)  
Discharge port : 1 1/2" (FLANGE)

Capacity : 340 lpm (90 gpm)  
Displacement : 1.29 l (0.34 gallon)  
Fluid pressure (max) : 6.9 bar (100 psi)  
Solids size(max) : 6.3mm (0.25" )

Self - suction height : dry 3.5m (12 ft)  
wet 9.0m (30 ft)  
Compressed air pressure : 1.4 to 6.9 bar (20 to 100 psi)  
Working pressure: 120°C (250 °F)  
Weight: 34kg (PP) / 45kg (PVDF)

[www.skylink-tec.com](http://www.skylink-tec.com)

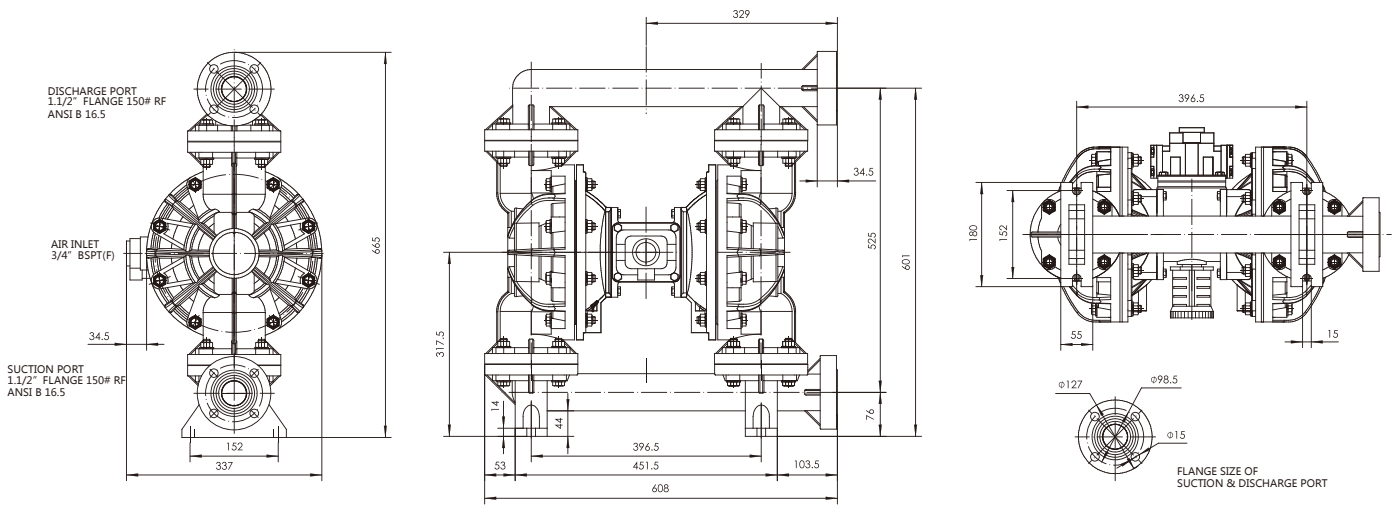


**MATERIALS OF IMMERSION**

- ▶ HOUSING : sulan、 PVDF
- ▶ DIAPHRAGM: santoprene、 PTFE
- ▶ BALL: santoprene、 PTFE
- ▶ BALL SEAT: sulan、 santoprene、 PTFE

**MATERIALS OF NON IMMERSION**

- ▶ resin coated aluminum alloy、 PTFE coated aluminum alloy、 stainless steel



**PS40 Spare parts**

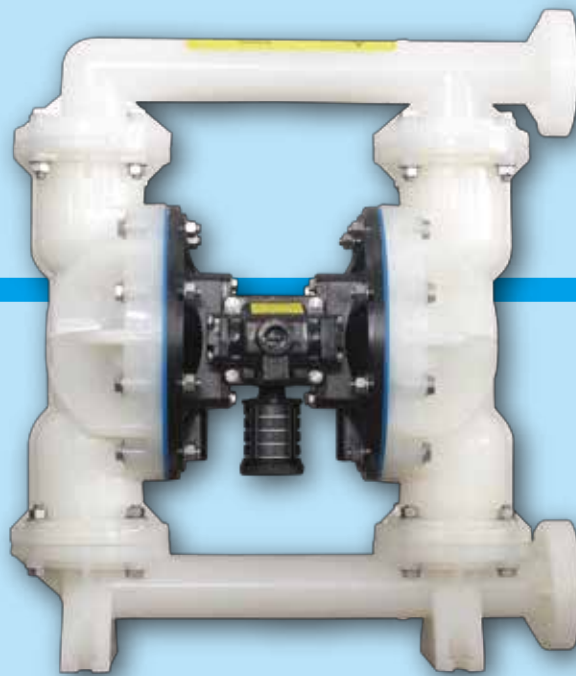
Fluid parts kit	teflon diaphragm fluid parts kit	0040.8600pt	teflon ball valve	0040.6154p	4
			teflon ball seat	0040.6040p	4
			teflon diaphragm	0040.8654p	2
			santoprene diaphragm	0040.8658p	2
	santoprene diaphragm fluid parts kit	0040.8600ps	santoprene ball valve	0040.6158p	4
			santoprene ball seat	0040.6040p	4
			santoprene diaphragm	0040.8658p	2
	polychloroprene diaphragm fluid parts kit	0040.8600pn	polychloroprene ball valve	0040.6152p	4
			polychloroprene ball seat	0040.6040p	4
			polychloroprene diaphragm	0040.8652p	2
	NBR diaphragm fluid parts kit	0040.8600pb	NBR ball valve	0040.6151p	4
			NBR ball seat	0040.6040p	4
			NBR diaphragm	0040.8651p	2
	Fluororubber diaphragm fluid parts kit	0040.8600pv	fluororubber ball valve	0040.6153p	4
			fluororubber ball seat	0040.6040p	4
			fluororubber diaphragm	0040.8653p	2
Air parts kit	0040.0000		air valve cover O-ring	0000.6852	6
			distribution valve spool O-ring	0000.6952	3
			distribution valve cover O-ring	0000.7052	6
			U-type ring	0450.6452	2
			thimble O-ring	0458.3502	2



# SKYLINK AODD PUMP

## PS50

PLASTIC PUMP



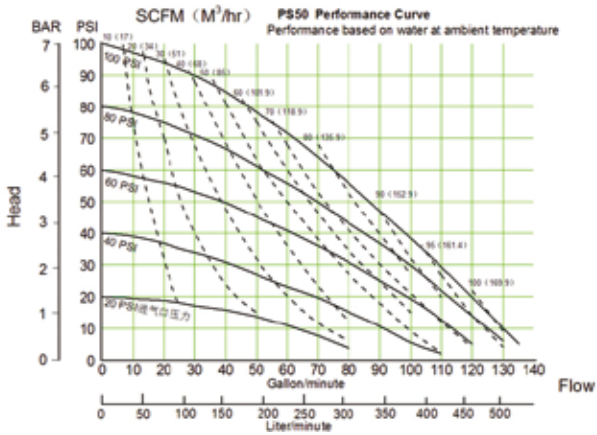
### TECHNICAL PARAMETERS

Air inlet port : 3/4" (F)  
Suction port : 2" (FLANGE)  
Discharge port : 2" (FLANGE)

Capacity : 511 lpm (90 gpm)  
Displacement : 1.63 l (0.43 gallon)  
Fluid pressure (max) : 6.9 bar (100 psi)  
Solids size(max) : 9mm (3/8" )

Self - suction height : dry 5.0m (16 ft)  
wet 9.0m (30 ft)  
Compressed air pressure : 1.4 to 6.9 bar (20 to 100 psi)  
Working pressure: 120°C (250 °F)  
Weight: 41kg (PP) / 56kg (PVDF)

[www.skylink-tec.com](http://www.skylink-tec.com)

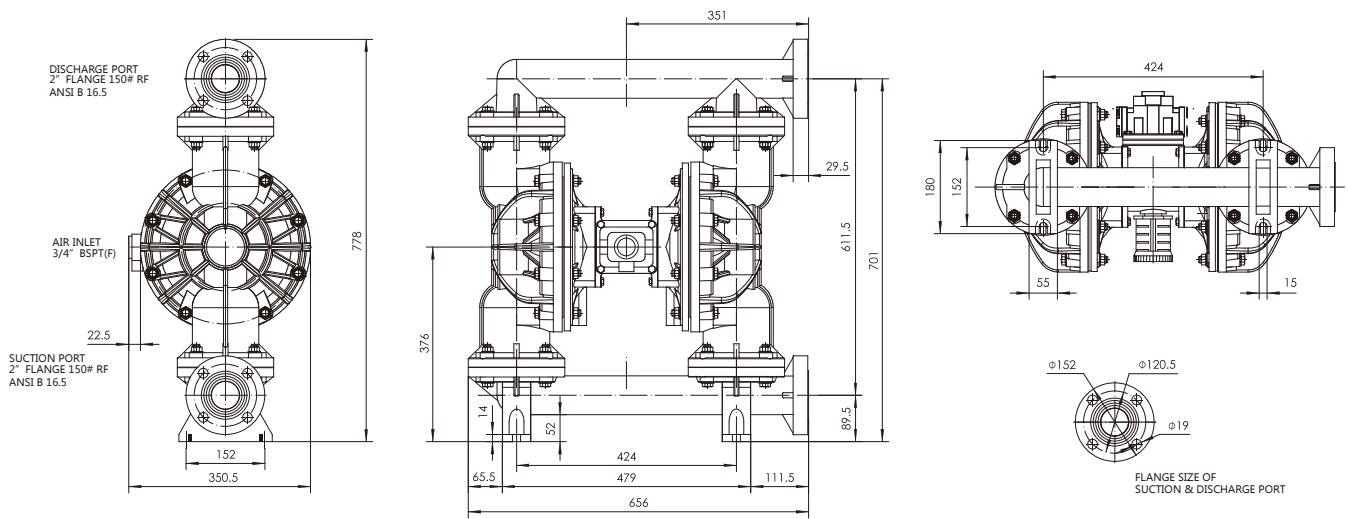


**MATERIALS OF IMMERSION**

- ▶ HOUSING : sulan、 PVDF
- ▶ DIAPHRAGM: santoprene、 PTFE
- ▶ BALL: santoprene、 PTFE
- ▶ BALL SEAT: sulan、 santoprene、 PTFE

**MATERIALS OF NON IMMERSION**

- ▶ resin coated aluminum alloy、 PTFE coated aluminum alloy、 stainless steel



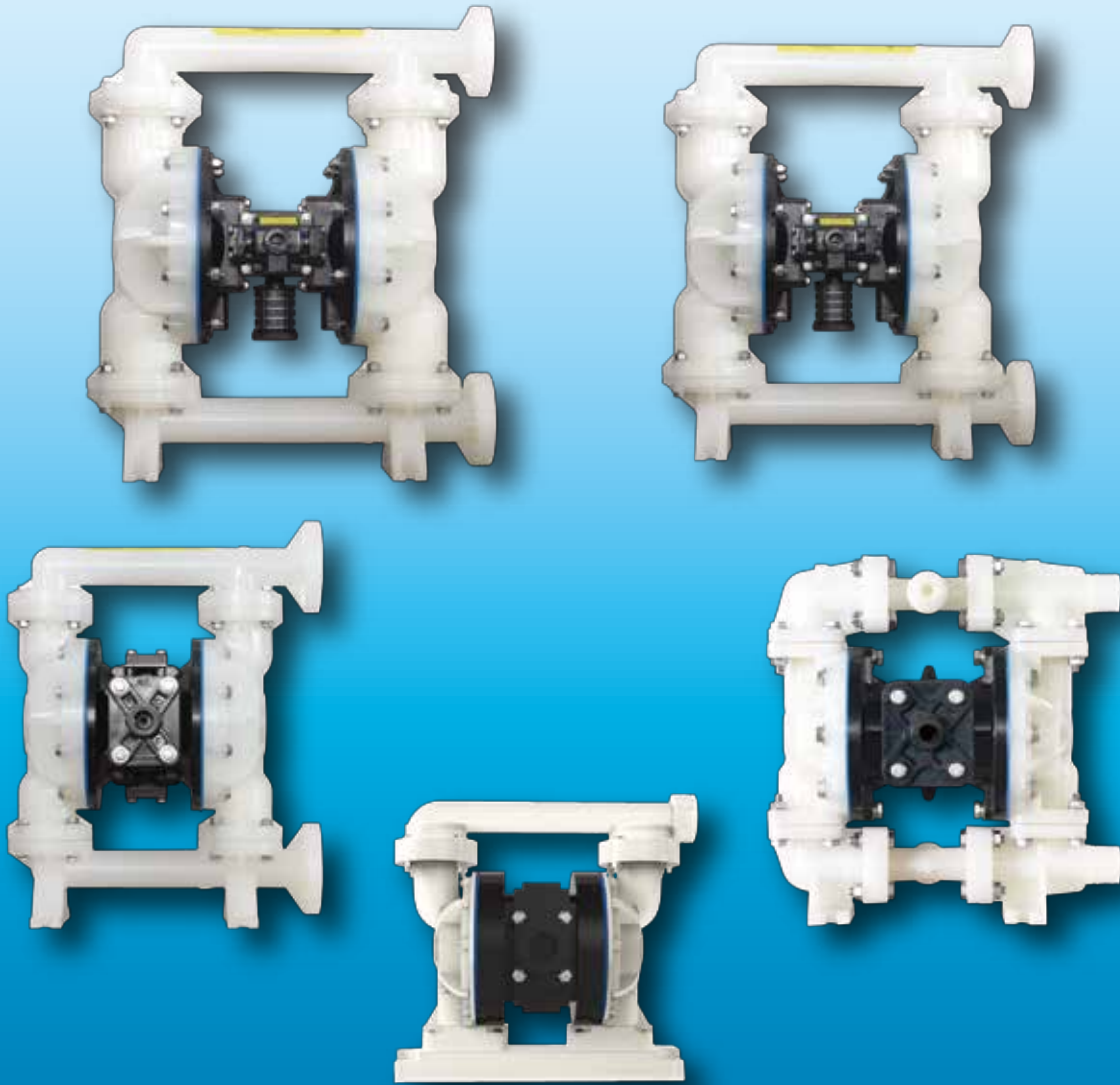
**PS50 Spare parts**

Fluid parts kit	teflon diaphragm fluid parts kit	0050.8600pt	teflon ball valve	0050.6154p	4
			teflon ball seat	0050.6040p	4
			teflon diaphragm	0050.8654p	2
			santoprene diaphragm	0050.8658p	2
	santoprene diaphragm fluid parts kit	0050.8600ps	santoprene ball valve	0050.6158p	4
			santoprene ball seat	0050.6040p	4
			santoprene diaphragm	0050.8658p	2
	polychloroprene diaphragm fluid parts kit	0050.8600pn	polychloroprene ball valve	0050.6152p	4
			polychloroprene ball seat	0050.6040p	4
			polychloroprene diaphragm	0050.8652p	2
	NBR diaphragm fluid parts kit	0050.8600pb	NBR ball valve	0050.6151p	4
			NBR ball seat	0050.6040p	4
			NBR diaphragm	0050.8651p	2
	Fluororubber diaphragm fluid parts kit	0050.8600pv	fluororubber ball valve	0050.6153p	4
			fluororubber ball seat	0050.6040p	4
			fluororubber diaphragm	0050.8653p	2
Air parts kit	0050.0000		air valve cover O-ring	0000.6852	6
			distribution valve spool O-ring	0000.6952	3
			distribution valve cover O-ring	0000.7052	6
			U-type ring	0450.6452	2
			thimble O-ring	0458.3502	2

**SKYLINK AODD PUMP**

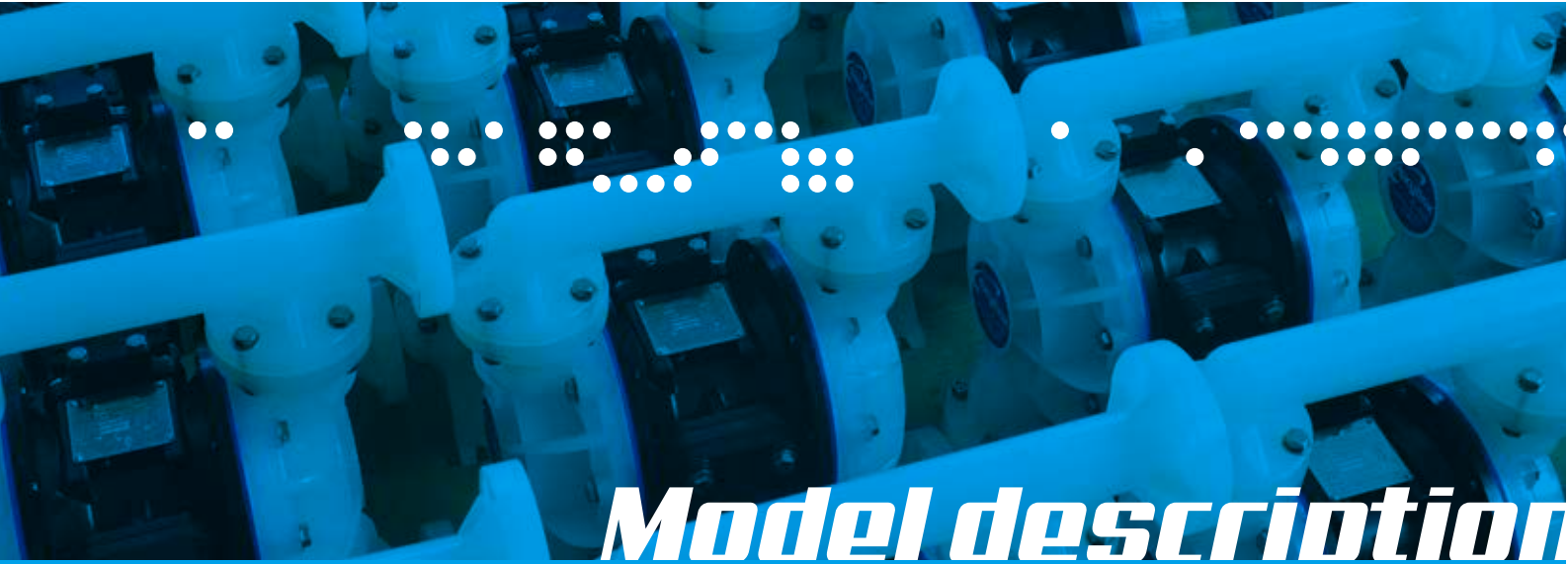
# ***PLASTIC PUMP***

Specialist in fluid transfer



***PS08 PS15 PS25 PS40 PS50***

[www.skylink-tec.com](http://www.skylink-tec.com)



# Model description

MODEL NO.	LS	25	SS	AA	NE	TT	NE	00
	1	2	3	4	5	6	7	8

NO.	Code	Illustrate
1	LS	Metel pump series
	PS	Plastic pump series
	HS	High pressure pump series
	PDLS	Powder pump series

### SUCTION PORT AND DISCHARGE PORT

2	08	1/4"
	15	1/2"
	25	1"
	40	1 1/2"
	50	2"
	80	3"

### HOUSING MATERIAL

3	SS	316L
	AA	aluminium alloy
	CS	carbon steel
	PP	polypropylene
	KY	PVDF

### INTERMEDIATE MATERIAL

4	AA	aluminium alloy
	AT	aluminium alloy (teflon coating)

### DIAPHRAGM MATERIAL

5	TT	teflon
	SP	santoprene
	T/N	teflon/neoprene
	NE	neoprene
	BN	NBR
	VT	fluororubber

NO.	Code	Illustrate
6	<b>BALL VALVE METERIAL</b>	
	SP	santoprene
	NE	neoprene
	SS	316L
	TT	teflon
	BN	NBR
7	VT	fluororubber
	<b>BALL SEAT METERIAL</b>	
	SP	santoprene
7	NE	neoprene
	SS	carbon steel
	TT	teflon
	BN	NBR
	VT	fluororubber
8	PP	plastic
	<b>OTHER</b>	
	00	BSPT connection
8	OF	Flange connection
	01	NPT connection



# Materials and features

PP

## Polypropylene:

Medium corrosion resistant, good chemical. Generality is good, particular suitable for general acids and bases.

KY

## PVDF :

Good chemical and extrusion resistance , corrosion resistance, suitable for high purity acids.

CI

## Cast iron:

Good corrosion resistance , particular suitable for press mud output.

AL

## Aluminium alloy:

Strong impact resistance, abrasion resistance and heat resistance, Medium chemical corrosion resistance, good generality.

SS

## Stainless steel:

Abrasion resistance excellent. Suitable for water-borne coatings, viscous fluid.

CS

## Carbon steel:

High strength, plasticity and toughness.

TF

## Teflon:

Good chemical resistance, solvent resistance, medium abrasion. Resistance, good generality .

SP

## Santoprene:

Good abrasion resistance, chemical resistance and heat resistance. Not suitable for solvent, can replace the EPDM/EPR material.

VT

## Fluororubber:

Strong acid resistance, unleaded fuel resistance.

BN

## NBR:

Not suitable for strong solvents and chemical fluid, suitable for the gas fluid and using at room temperature.

NE

## Neoprene:

Oil resistance, heat resistance, flame resistance, sunlight resistance , ozone resistance, acid and alkali resistance, chemical reagents resistance .

The crystallization of high tensile strength, elongation and reversible, good adhesion.



# SKYLINK Products

## Skylink AODD pump

The parameters are in this brochure.



## Skylink Lobeflo rotary lobe pump

- Skylink Lobeflo Rotary Lobe Pump is designed for the health and industrial pump.
- Cleaning and sanitation is very convenient, CIP and SIP are both allow.
- Low Shearing action and special rotary lobe shape, ensure soft rotation, minimum damage fluid and transfer high viscosity material.
- Good ability of interchange Structure, can change different form of rotor or orientation of import and export.
- It changes the direction of medium flow conveniently, only need to change the direction of Prime mover.
- Resistance high temperature, transfer medium over 150 C .
- Easy maintenance, the design of mechanical seal to the point, the ring is isolation from the pumping medium, make the assemble and maintenance of mechanical seal more easily.
- You can choose mechanical seal between single face flushing and double face flushing , all seal combination are the same ring.



## Skylink Meterflo magdrive pump

- Skylink Meterflo magnetic drive gear pump don't have packing- mechanical seal, diaphragm and plastic pipe which are easily broken, they can avoid your worries .
- External helical gear make pump flow unaffected by pressure ,no pulse, can measure flow accurately, high repeatability. Can be used as a metering pump, suitable for high-pressure differential, high system pressure and a wide range of medium viscosity.
- 316L stainless steel, Hastelloy, titanium alloys and engineering plastics pump body with PEEK plastic gears and bearings , can apply to most of the chemical substances.
- The motor is directly connected to the external magnetic drive, non-contact coupling magnetic drive mode, no friction, reduce vulnerability. Magnetic drive pump has the advantages of high efficiency, energy saving, convenient maintenance, installation of low cost, long service life and so on.

